



Seal Kits

311356G

To replace proportioning pump piston seal sets or cylinder seal sets used on Hydraulic Proportioners.



Important Safety Instructions

Read all warnings and instructions in proportioning pump manual 311391. Save these instructions.

Piston Seal Kits, see page 2


Cylinder Seal Kits for A-Side Pumps, see page 3


Cylinder Seal Kits for B-Side Pumps, see page 4

GRACO | GUSMER

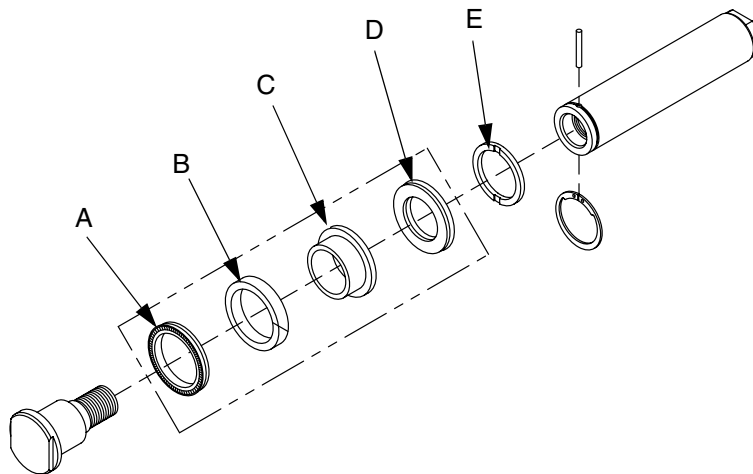
PROVEN QUALITY. LEADING TECHNOLOGY.

Piston Seal Kits, for A-Side and B-Side Pumps


 Parts with a check mark (✓) in the following table are included in the kits.


						
Before beginning, follow the Pressure Relief Procedure in proportioning pump manual 311391.						

Pump A-Side	Pump B-Side	Proportioning Pump Size	Kit Part No.	A (Piston Seal Wiper Ring)	B (Wear Ring)	C (Piston Seal Support)	D (Piston Seal)	E (Piston Support Washer)
		28	296739	✓	✓	✓	✓	
	295044	40	296740	✓	✓	✓	✓	295647
		44	297845	✓	✓	✓	✓	297184
	295045	48	297846	✓	✓	✓	✓	295648
297675	296799	60	296741	✓	✓	✓	✓	295276
296807	296800	80	296742	✓	✓	✓	✓	296796
296750	296801	88	297847	✓	✓	✓	✓	295278
295155	296802	96	297848	✓	✓	✓	✓	295279
295156	295050	104	296737	✓	✓	✓	✓	295284
296806	295051	112	297844	✓	✓	✓	✓	295285
296749	296748	120	296738	✓	✓	✓	✓	296795



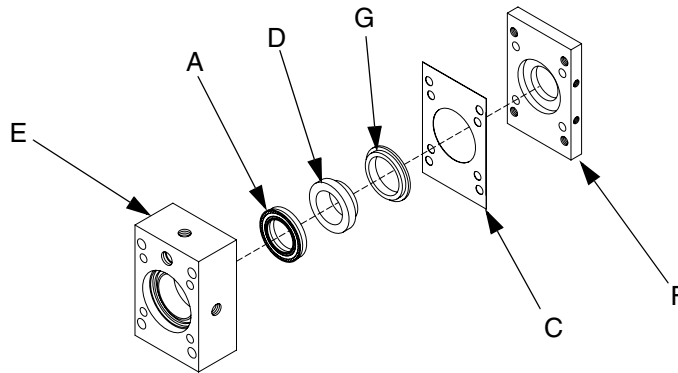
Cylinder Seal Kits for A-Side Pumps

 Parts with a check mark (✓) in the following table are included in the kits.


						
Before beginning, follow the Pressure Relief Procedure in proportioning pump manual 311391.						


Pump A-side	Proportioning Pump Size	Kit Part No.	A (Cylinder Seal)	C (Gasket)	D (Bearing)	* E (Outlet Flange)	* F (Retainer Flange)	* G (Adapter Ring)
	30	297865	✓	✓	✓	295063	295159	297856
295044	40	296767	✓	✓	✓	295064	295159	295243
295045	48	297867	✓	✓	✓	295065	295159	297877
	56	297868	✓	✓	✓		295159	297878
297675	60	297869	✓	✓	✓	295066	295159	295244
296804	80	296768	✓	✓	✓	296803	295159	295245
295155	96	297871	✓	✓	✓	295069	295159	295247
295156	104	296766	✓	✓	✓	295070	295159	295248
296806	112	297864	✓	✓	✓	295071	295159	295249
296749	120	296103	✓	✓	✓	295072	295159	

* Not included in kit.



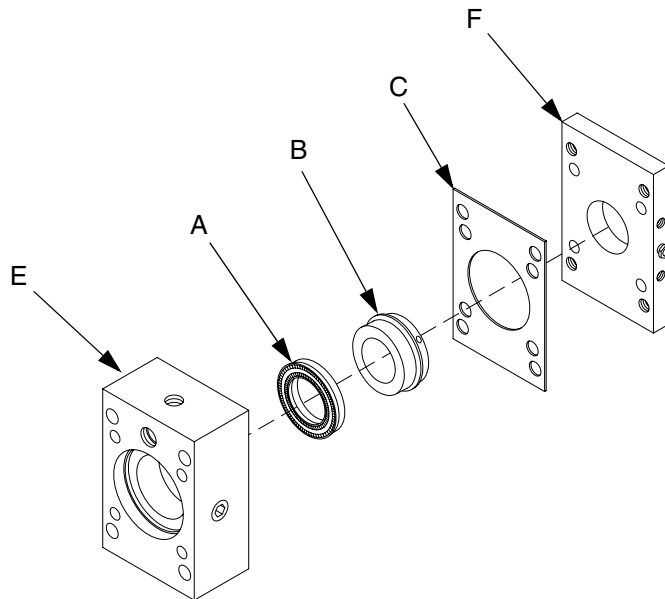
Cylinder Seal Kits for B-Side Pumps

 Parts with a check mark (✓) in the following table are included in the kits.

						
Before beginning, follow the Pressure Relief Procedure in proportioning pump manual 311391.						

Pump B-side	Proportioning Pump Size	Kit Part No.	A (Cylinder Seal)	B (Grease Bushing)	C (Gasket)	* E (Outlet Flange)	* F (Retainer Flange)
	28	296746	✓	✓	✓	295142	295074
295043	30	297850	✓	✓	✓	295063	295075
295044	40	297115	✓	✓	✓	295064	295076
	44	297851	✓	✓	✓	295073	295077
295045	48	297852	✓	✓	✓	295065	295078
296799	60	297853	✓	✓	✓	295066	295079
296800	80	296747	✓	✓	✓	296803	295080
296801	88	297854	✓	✓	✓	295068	295081
295050	104	296744	✓	✓	✓	295070	295083
295051	112	297849	✓	✓	✓	295071	295084
296748	120	296745	✓	✓	✓	295072	295085

* Not included in kit.



Graco Standard Warranty

Graco warrants all equipment referenced in this document which is manufactured by Graco and bearing its name to be free from defects in material and workmanship on the date of sale to the original purchaser for use. With the exception of any special, extended, or limited warranty published by Graco, Graco will, for a period of twelve months from the date of sale, repair or replace any part of the equipment determined by Graco to be defective. This warranty applies only when the equipment is installed, operated and maintained in accordance with Graco's written recommendations.

This warranty does not cover, and Graco shall not be liable for general wear and tear, or any malfunction, damage or wear caused by faulty installation, misapplication, abrasion, corrosion, inadequate or improper maintenance, negligence, accident, tampering, or substitution of non-Graco component parts. Nor shall Graco be liable for malfunction, damage or wear caused by the incompatibility of Graco equipment with structures, accessories, equipment or materials not supplied by Graco, or the improper design, manufacture, installation, operation or maintenance of structures, accessories, equipment or materials not supplied by Graco.

This warranty is conditioned upon the prepaid return of the equipment claimed to be defective to an authorized Graco distributor for verification of the claimed defect. If the claimed defect is verified, Graco will repair or replace free of charge any defective parts. The equipment will be returned to the original purchaser transportation prepaid. If inspection of the equipment does not disclose any defect in material or workmanship, repairs will be made at a reasonable charge, which charges may include the costs of parts, labor, and transportation.

THIS WARRANTY IS EXCLUSIVE, AND IS IN LIEU OF ANY OTHER WARRANTIES, EXPRESS OR IMPLIED, INCLUDING BUT NOT LIMITED TO WARRANTY OF MERCHANTABILITY OR WARRANTY OF FITNESS FOR A PARTICULAR PURPOSE.

Graco's sole obligation and buyer's sole remedy for any breach of warranty shall be as set forth above. The buyer agrees that no other remedy (including, but not limited to, incidental or consequential damages for lost profits, lost sales, injury to person or property, or any other incidental or consequential loss) shall be available. Any action for breach of warranty must be brought within two (2) years of the date of sale.

GRACO MAKES NO WARRANTY, AND DISCLAIMS ALL IMPLIED WARRANTIES OF MERCHANTABILITY AND FITNESS FOR A PARTICULAR PURPOSE, IN CONNECTION WITH ACCESSORIES, EQUIPMENT, MATERIALS OR COMPONENTS SOLD BUT NOT MANUFACTURED BY GRACO. These items sold, but not manufactured by Graco (such as electric motors, switches, hose, etc.), are subject to the warranty, if any, of their manufacturer. Graco will provide purchaser with reasonable assistance in making any claim for breach of these warranties.

In no event will Graco be liable for indirect, incidental, special or consequential damages resulting from Graco supplying equipment hereunder, or the furnishing, performance, or use of any products or other goods sold hereto, whether due to a breach of contract, breach of warranty, the negligence of Graco, or otherwise.

FOR GRACO CANADA CUSTOMERS

The Parties acknowledge that they have required that the present document, as well as all documents, notices and legal proceedings entered into, given or instituted pursuant hereto or relating directly or indirectly hereto, be drawn up in English. Les parties reconnaissent avoir convenu que la rédaction du présente document sera en Anglais, ainsi que tous documents, avis et procédures judiciaires exécutés, donnés ou intentés, à la suite de ou en rapport, directement ou indirectement, avec les procédures concernées.

Graco Information

TO PLACE AN ORDER, contact your Graco distributor or call to identify the nearest distributor.

Phone: 612-623-6921 **or Toll Free:** 1-800-328-0211 **Fax:** 612-378-3505

*All written and visual data contained in this document reflects the latest product information available at the time of publication.
Graco reserves the right to make changes at any time without notice.*

MM 311356

Graco Headquarters: Minneapolis
International Offices: Belgium, China, Japan, Korea

GRACO INC. P.O. BOX 1441 MINNEAPOLIS, MN 55440-1441

www.graco.com

311356G

2/2006 Rev. 4/2007