

GH833 Direct Immersion Kit 287843

311493D

- For installation of tower/bracket. -



Important Safety Instructions

Read all warnings and instructions in this manual.
Save these instructions.

Refer to GH833 operation manual. Before attempting to install kit, follow **Pressure Relief Procedure**, page 4.



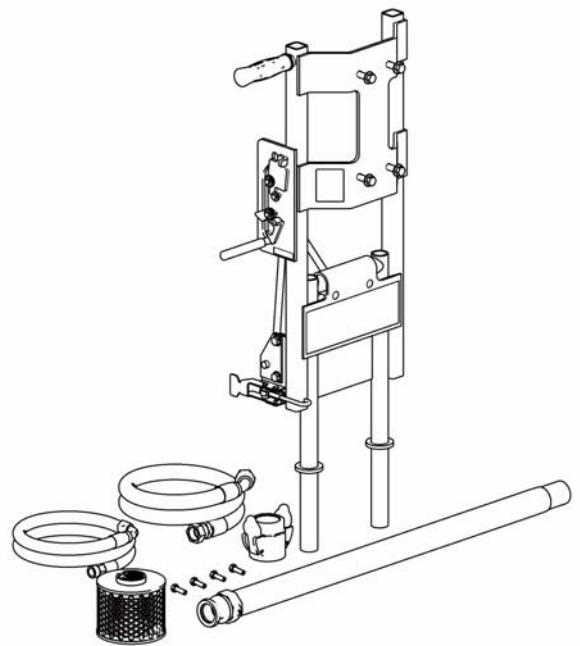
[311279](#)



[311283](#)



[311484](#)



PROVEN QUALITY. LEADING TECHNOLOGY.



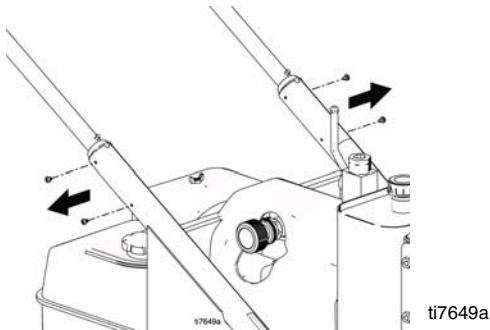
Fixed Mounting (optional)

To prevent damaging the unit when transporting it in a truck or on a trailer, Graco recommends fixed mounting to the vehicle.

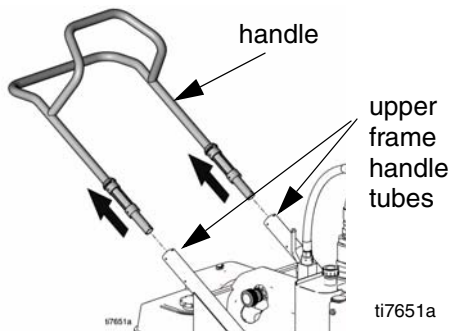
Repositioning Handle

Before you can secure the unit to a truck or trailer bed, you must reposition the handle.

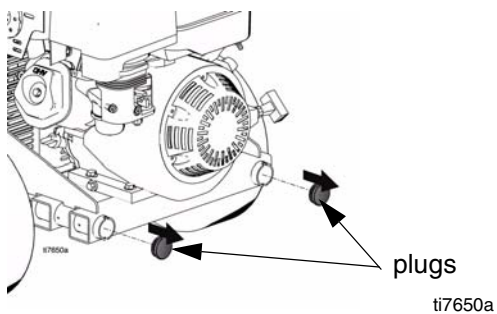
1. Remove four handle sleeve screws.



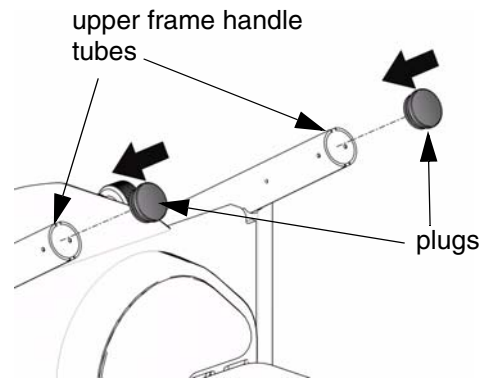
2. Pull handle out of upper frame handle tubes and remove.



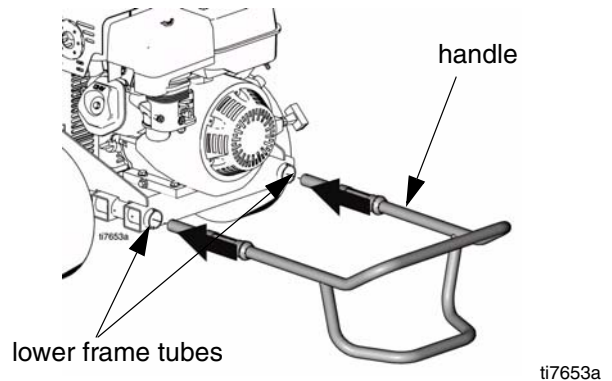
3. Remove two frame tube plugs located behind wheels.



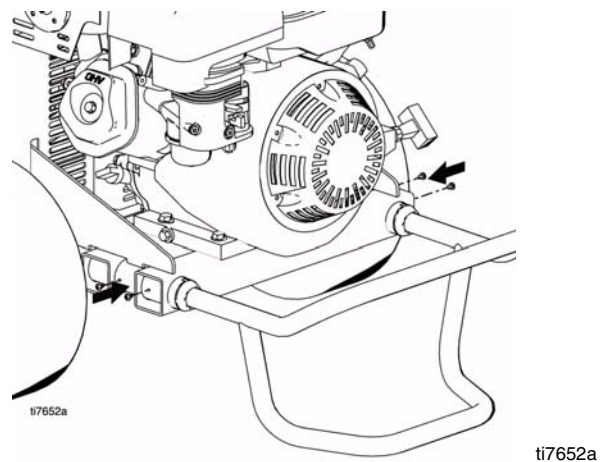
4. Insert plugs in upper frame handle tubes.



5. Insert handle into lower frame tubes. Face hose bracket down. Adjust to appropriate in/out location.





6. Install four sleeve screws in lower frame tubes.

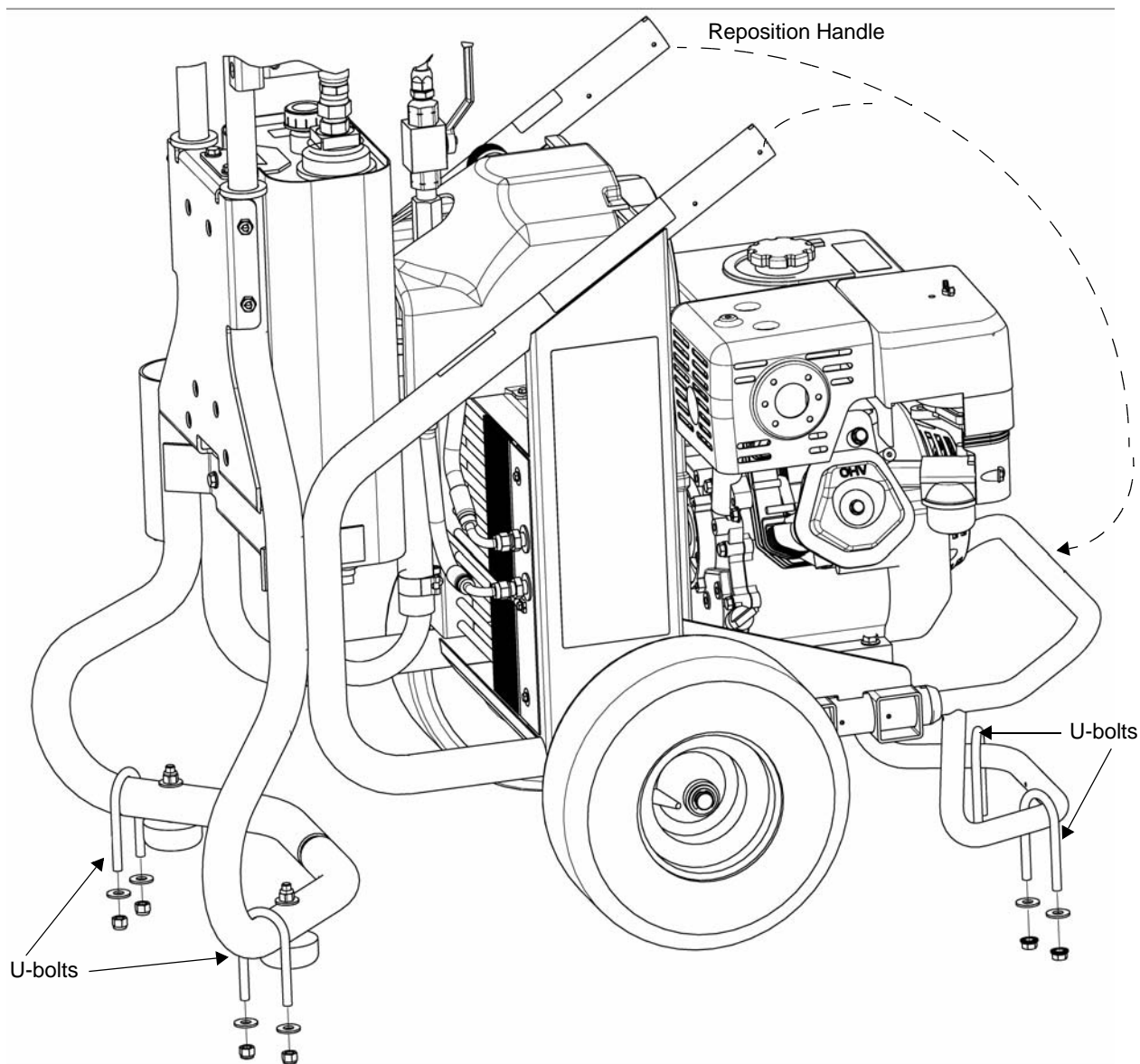


Securing Unit to Vehicle Bed

For fixed mounting, fasten U-bolts over sprayer frame as indicated in the following illustration.

1. Reposition handle, steps 1-5, page 2.
2. Place U-bolts over sprayer frame and through holes in vehicle bed. Place a washer and nut over bolt end. Tighten nut securely.

							
<p>Sprayer is a heavy piece of equipment. To avoid bodily injury that could result from equipment moving when transporting, secure sprayer to vehicle.</p>							



Kit.jpg

General Information

Pressure Relief Procedure







1. Engage trigger lock.
2. Set pump valve OFF.
3. Turn engine OFF.
4. Turn pressure to lowest setting.
5. Trigger gun to relieve pressure.
6. Turn Prime valve down.

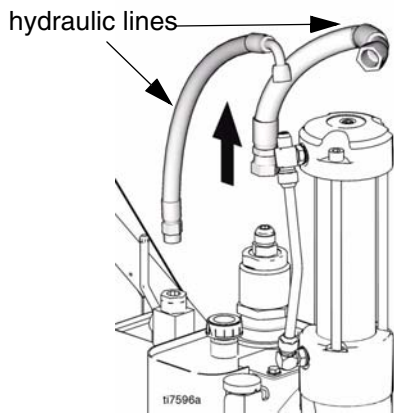
Trigger Lock

Engage trigger lock when you stop spraying to prevent gun from being accidentally triggered by hand or if dropped or bumped.

Removing Hydraulic Head and Pump

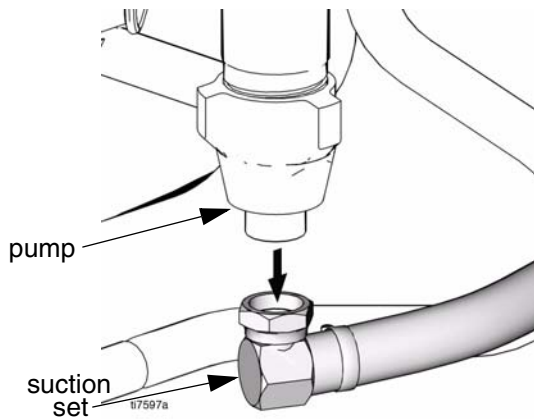
						
BURN HAZARD						
Equipment surfaces and fluid that's heated can become very hot during operation. To avoid severe burns, do not touch hot fluid or equipment. Wait until equipment/fluid has cooled completely.						

1. Follow **Pressure Relief Procedure**, page 4.
2. Allow unit to cool.
3. Remove two hydraulic lines from head and body.

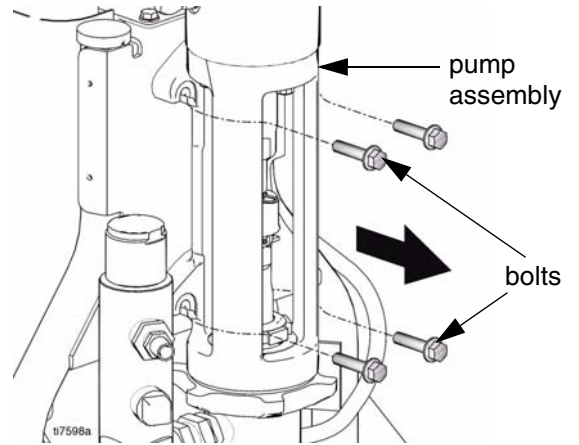


ti7596a

4. Remove suction set from pump.



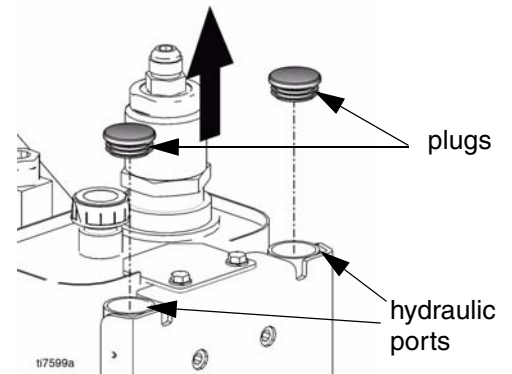
5. Remove four mounting bolts on pump assembly and set assembly out of the way.



ti7598a

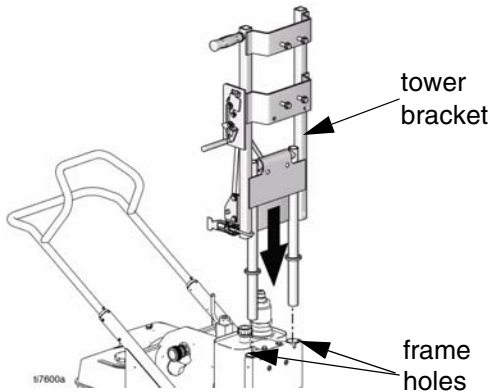
6. Remove two black plugs.

Note: Protect open hydraulic ports from debris and contamination.

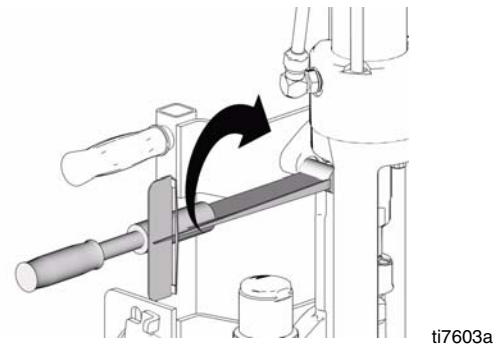


Installing Direct Immersion Kit

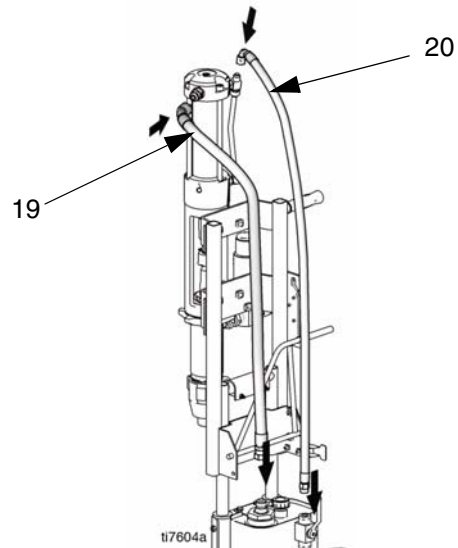
1. Install tower/bracket into frame holes.



4. Torque bolts to 400 +/- 10 in-lb (33.3 ft-lb).

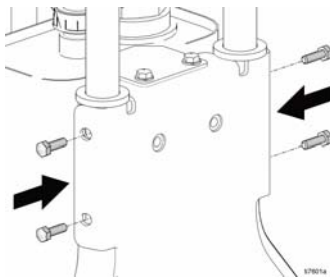


5. Install new, longer hydraulic lines (19, 20) from kit.

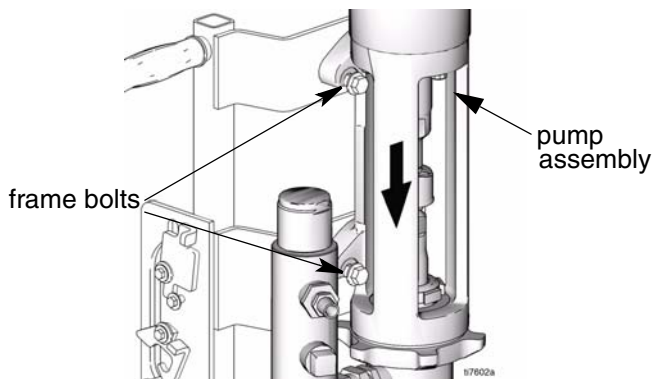


<p>Pumping motion could result in bracket pulling out of frame and cause serious injury. Always insert and torque screws securely to insure this does not occur.</p>						

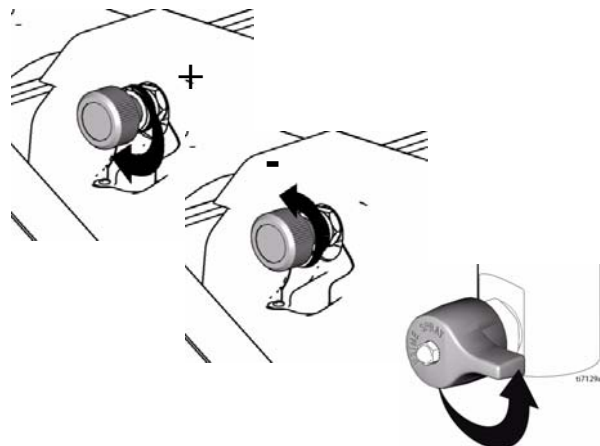
2. Install four retaining screws in frame to hold tower/bracket in place. Torque to 165 +/- 10 in-lb (13.8 ft-lb).





3. Install pump assembly over four frame bolts.



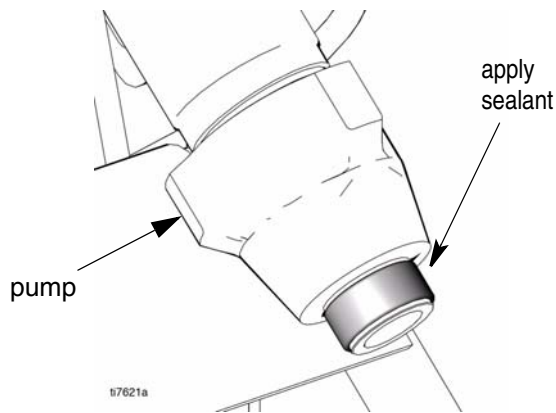
6. To purge air from hydraulic lines, increase pressure enough to start hydraulic motor stroking and allow fluid to circulate for 15 seconds. Turn pressure down, turn Prime valve horizontal (off).



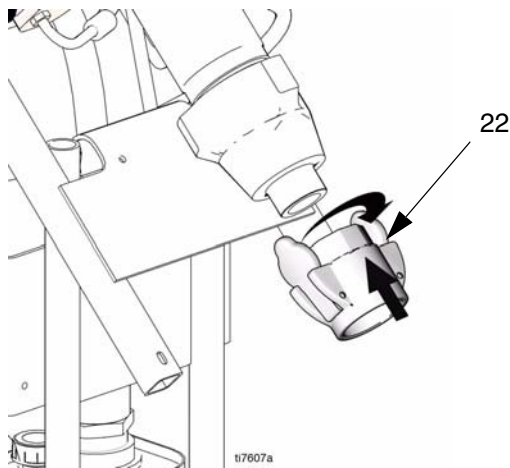
Using Direct Immersion

						
MOVING PARTS HAZARD						
Moving parts can pinch or amputate fingers and other body parts.						
<ul style="list-style-type: none">• Keep clear of moving parts.• Do not operate equipment with protective guards or covers removed.• Pressurized equipment can start without warning. Before checking, moving, or servicing equipment, follow the Pressure Relief Procedure in this manual. Disconnect power or air supply.						

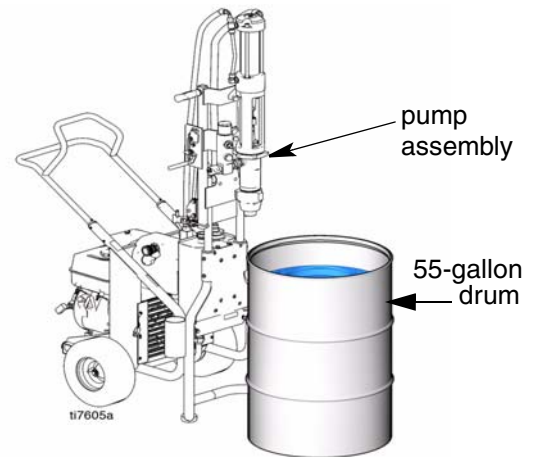
1. Apply pipe thread sealant 119400 over male threads on pump.



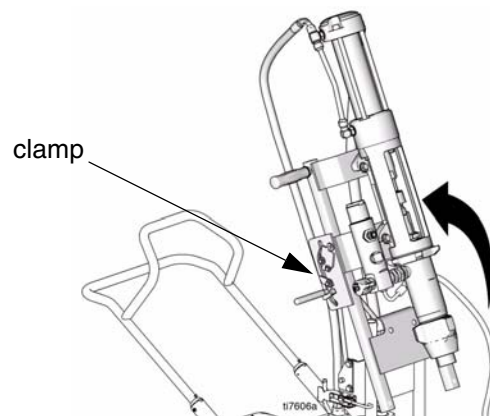
2. Attach female hose adapter (22) over male threads on pump. Tighten securely.



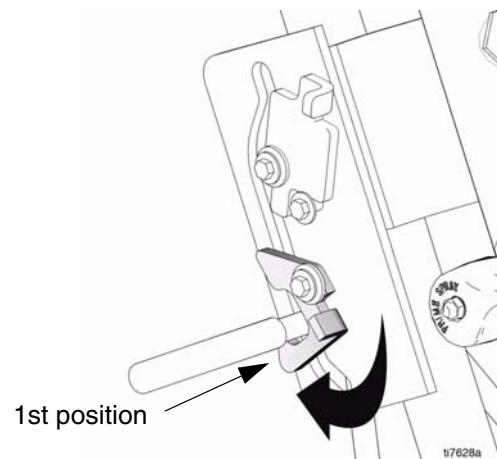
3. Position 55-gallon drum under pump assembly.



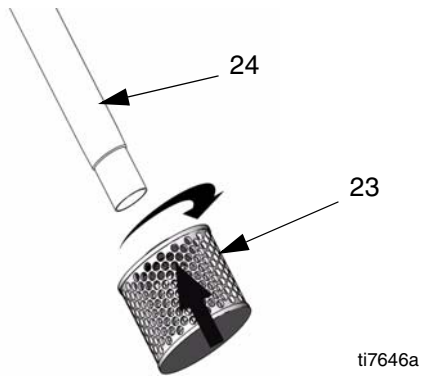
4. Unclamp and tilt tower/bracket back to 1st position.



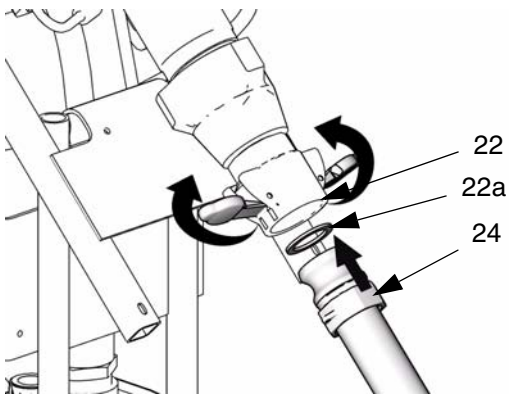
5. Lock clamp into 1st position.



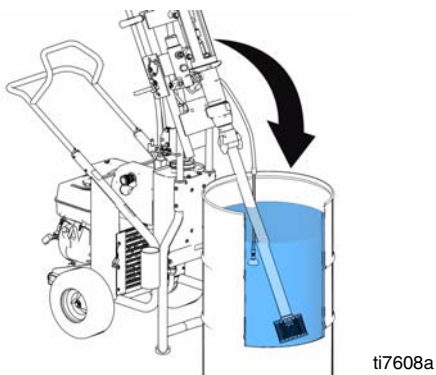
6. Install strainer (23) to bottom of intake tube (24).



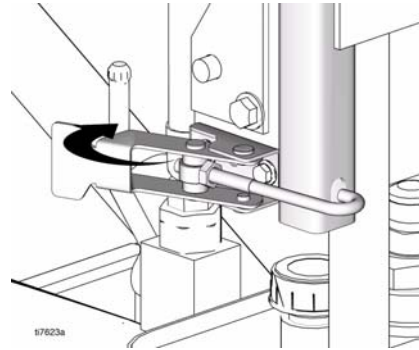
7. Install intake tube (24). Lock female hose adapter (22) to hold intake tube securely in place. Verify hose adapter gasket (22a) is in place.



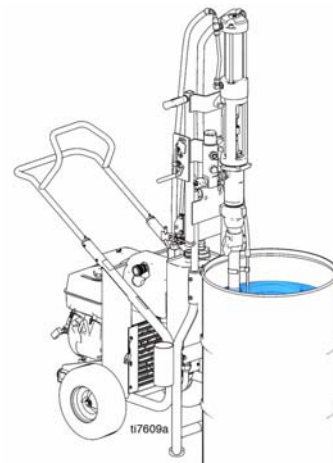
8. Lower intake tube into 55-gallon drum.



9. Lock tower/bracket in place.

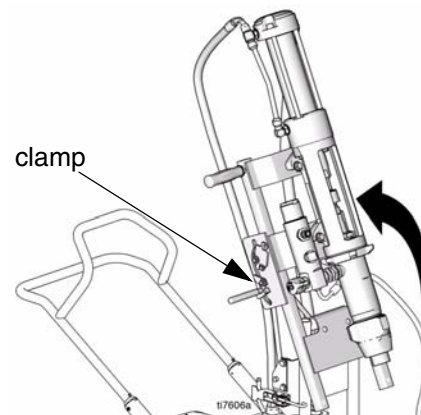


10. Ready to use.

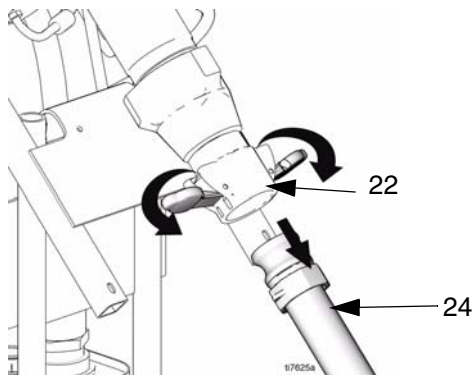


Changing Drums

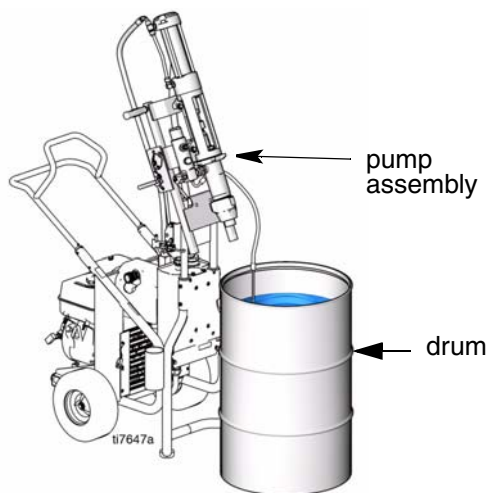
1. Tilt tower/bracket back and clamp securely in 1st position.



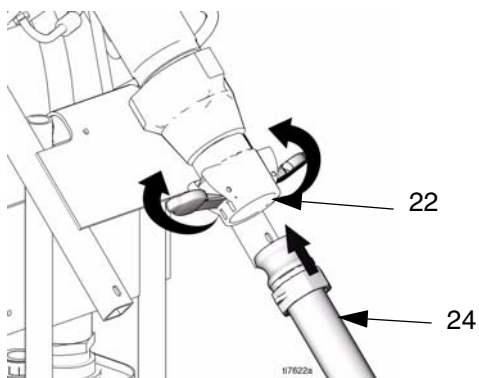
2. Unlock female hose adapter (22) and remove intake tube (24).



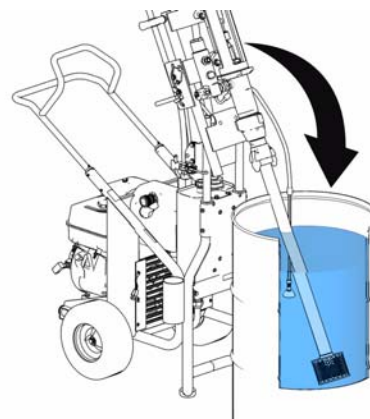
3. Move sprayer/tower/bracket (unit) and align new drum under pump assembly.



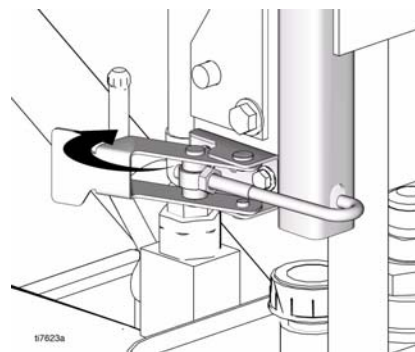
4. Ensure gasket (22a) is in place and install intake tube (24). Lock female hose adapter (22) to hold intake tube securely in place.



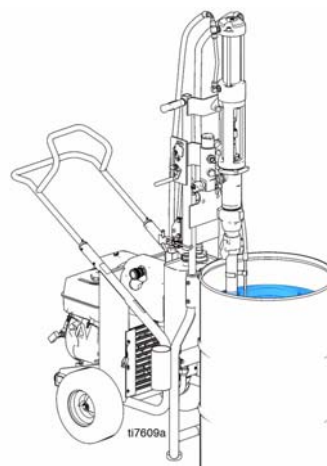
5. Lower intake tube into 55-gallon drum.



6. Lock tower/bracket in place.



7. Ready to use.

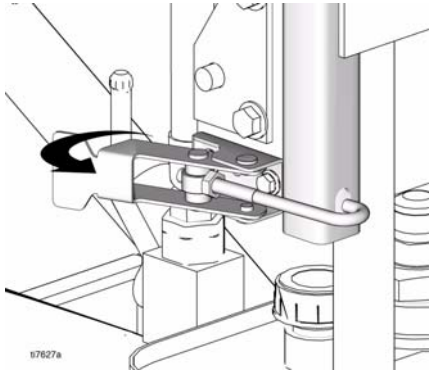


Transporting Unit

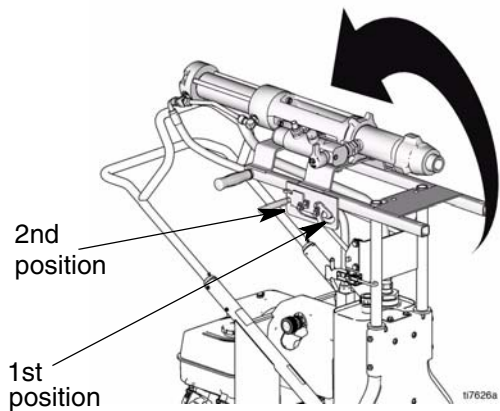
CAUTION

Do not transport unit with head in vertical position. When transporting unit securely tie down in vehicle or follow instructions for fixed mounting to vehicle, page 2.

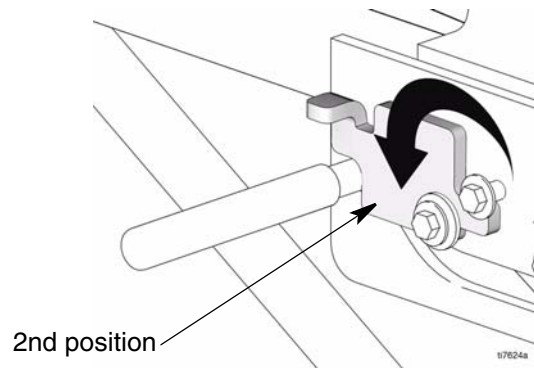
1. Unlock tower/bracket.



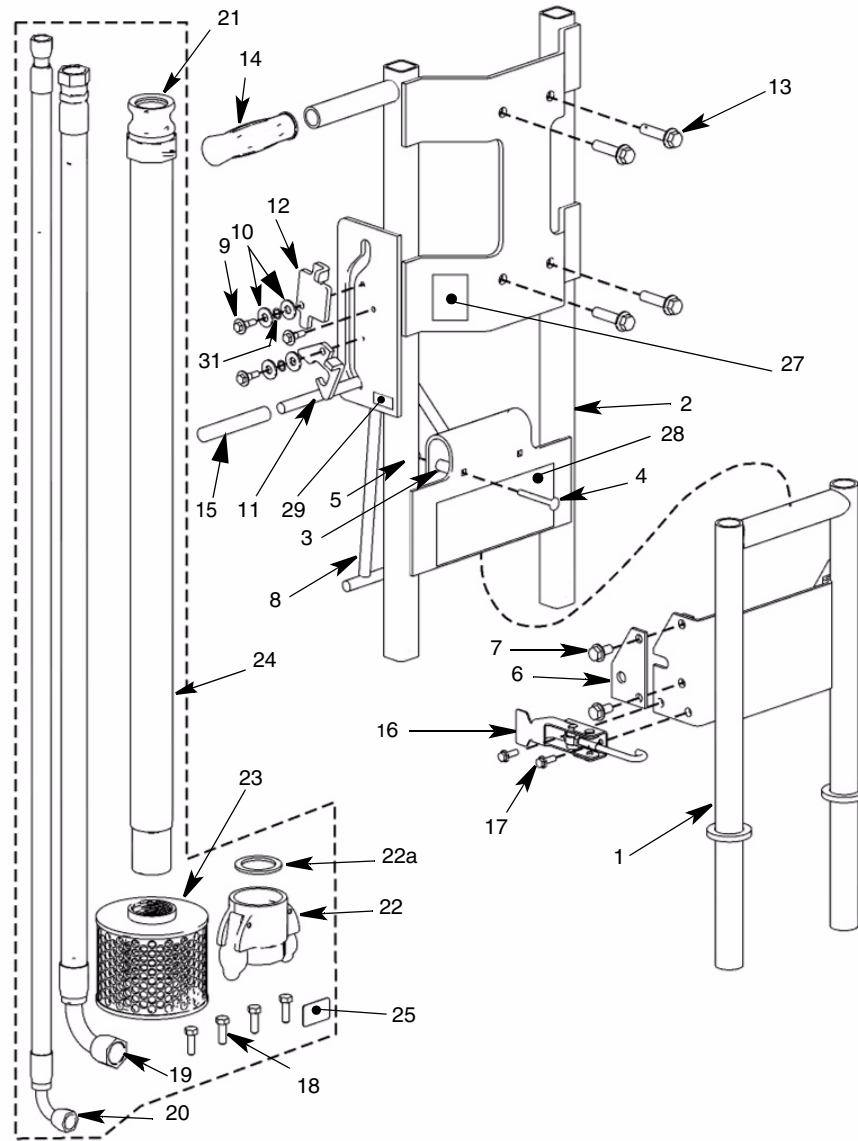
2. Tip tower/bracket back 90° to 2nd position for transporting.



3. Lock in place.



Parts

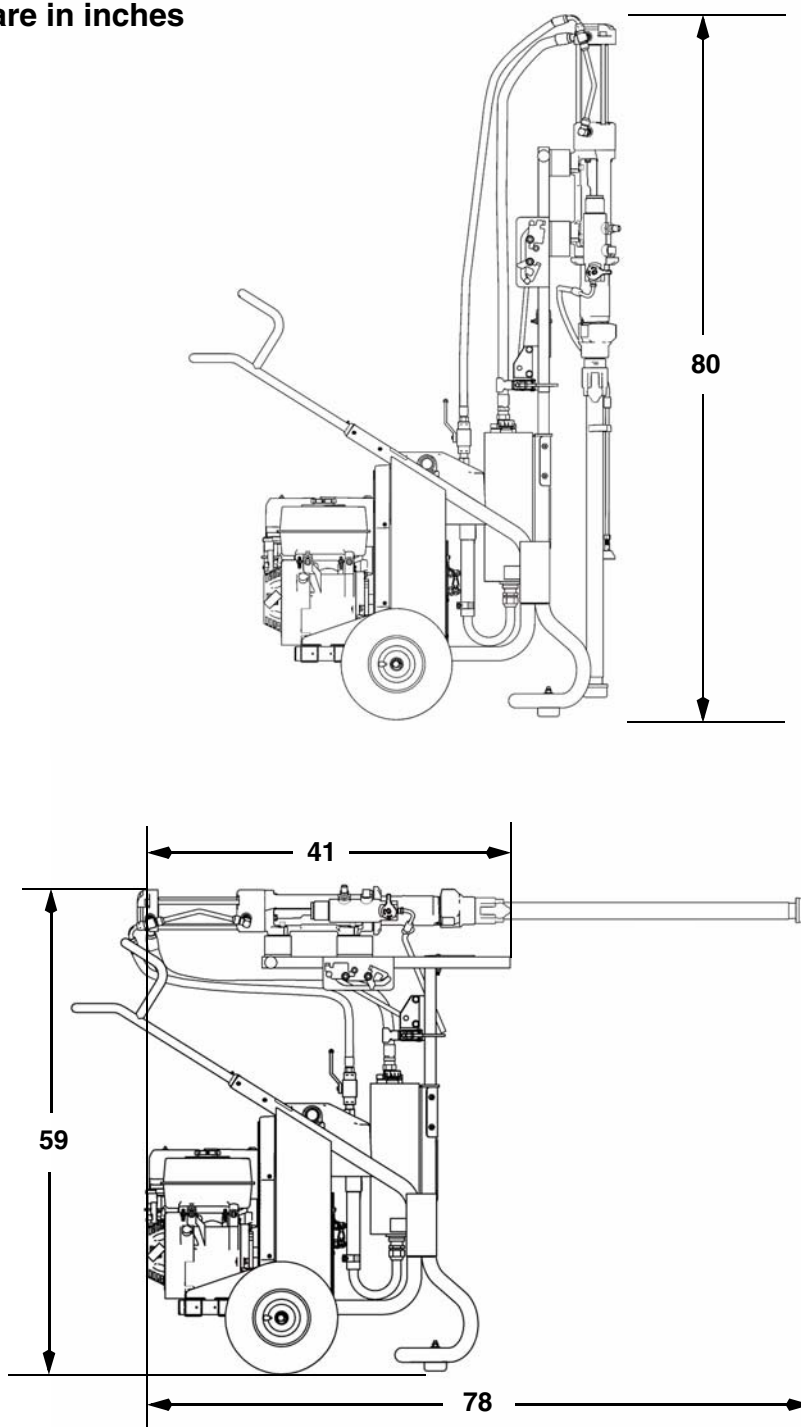


Ref	Part	Description	Qty	Ref	Part	Description	Qty
1	287897	SUPPORT, frame	1	19	15H265	HOSE, coupled	1
2	287896	FRAME, 55 gallon lift	1	20	15H268	HOSE, coupled	1
3	188622	SPACER	2	21	120307	FITTING, hose adapter, male	1
4	116630	SCREW	2	22	120308	FITTING, hose adapter, female;	1
5	102040	NUT, lock, hex	2			Includes 22a	
6	15H478	PLATE, retainer	1	22a	120781	GASKET, hose adapter	
7	112395	SCREW, cap, flnghd	2	23	187119	STRAINER	1
8	288037	BRACE, tilt, back	1	24	15H254	TUBE, inlet	1
9	119872	SCREW, shoulder	3	25	119400	SEALANT	1
10	120454	WASHER, flat	4	27▲	15H619	LABEL, warning	2
11	15H496	LATCH, liftkit, lower	1	28	15H618	LABEL	1
12	15H495	LATCH, liftkit, upper	1	29	192840	LABEL	1
13	120226	SCREW, hex hd, flange	4				
14	108063	GRIP, handle	1				
15	114808	CAP, vinyl	1				
16	195550	LATCH, adjustable	1				
17	113796	SCREW, flanged, hex hd	2				
18	114251	SCREW, cap, hex hd	4				

▲ Replacement Warning labels, tags, and cards are available at no cost.

Dimensions

All dimensions are in inches



All written and visual data contained in this document reflects the latest product information available at the time of publication.
Graco reserves the right to make changes at any time without notice.
MM 311493

Graco Headquarters: Minneapolis
International Offices: Belgium, China, Japan, Korea
GRACO INC. P.O. BOX 1441 MINNEAPOLIS, MN 55440-1441
www.graco.com
Written in USA 3/2006, Rev 7/2007