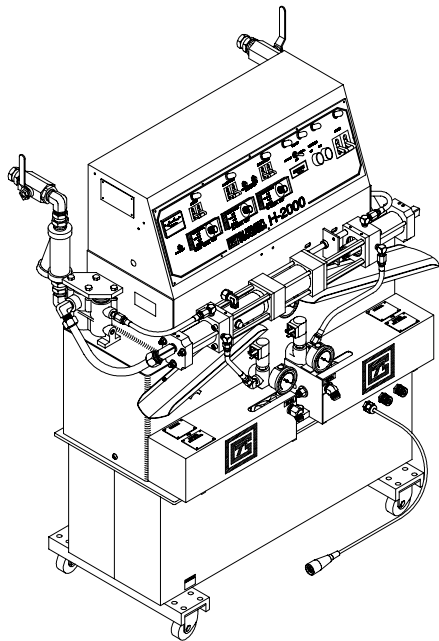


# **GUSMER**<sup>®</sup> CORPORATION

*"Teamwork & Communication"*



## ***H-2000*** ***Proportioning Unit*** ***Parts Identification Manual*** ***15942A-ID***

*December 8, 1999*

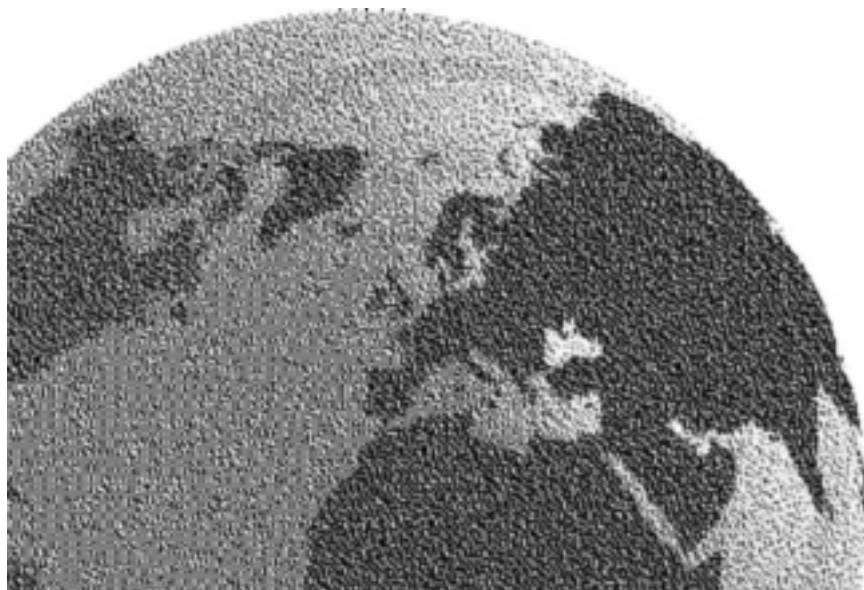
*Issue 2*

**GUSMER CORPORATION**<sup>®</sup>

A Subsidiary of Gusmer Machinery Group, Inc.  
One Gusmer Drive  
Lakewood, New Jersey, USA 08701-8055  
Toll Free 1-800-367-4767 (USA & Canada)  
Phone: (732) 370-9000  
Fax: (732) 905-8968

Copyright 1999, **GUSMER CORPORATION**<sup>®</sup>

<http://www.gusmer.com>



---

**NOTICE:** This manual contains important information for your GUSMER equipment. Read and retain for future reference.

---

---

---

***NOTICE:** The equipment described in this technical manual must only be operated or serviced by properly trained individuals, thoroughly familiar with the operating instructions and limitations of the equipment. For technical service, call your local distributor. Call: 1-800-FOR-GSMR (1-800-367-4767) for the name and telephone number of your local distributor.*

---

---

---

---

***NOTICE:** All statements, information and data given herein are believed to be accurate and reliable but are presented without guarantee, warranty or responsibility of any kind expressed or implied. Statements or suggestions concerning possible use of GUSMER equipment are made without representation or warranty that any such use is free of patent infringement, and are not recommendations to infringe any patent. The user should not assume that all safety measures are indicated or that other measures may not be required*

---

---

# CONTENTS

**LIST OF FIGURES .....5**

**LIST OF TABLES .....6**

**WARRANTY.....7**

**H-2000 ASSEMBLY .....8**

**ELECTRIC CONSOLE (STANDARD).....14**

**H-2000 INDIVIDUAL HEAT (IH) ASSEMBLY .....18**

**ELECTRIC CONSOLE (IH) .....24**

**CENTER AND BASE ASSEMBLY .....28**

**BASE ASSEMBLY .....32**

**TRANSFORMER PLATE ASSEMBLY .....36**

**REVERSING SWITCH ASSEMBLY .....37**

**LUBE RESERVOIR HOSE ASSEMBLY .....38**

**HYDRAULIC CYLINDER WITH SPACER.....40**

**PROPORTIONING PUMP ASSEMBLY .....42**

    # 60 AND 96 SIZE PUMPS .....46

    # 120 SIZE PUMP.....48

    # 40 SIZE PUMP.....49

**PUMP BASE ASSEMBLY .....50**

**PRIMARY HEATER ASSEMBLY.....52**

**AUTO POWER PACK.....54**

    AUTOMATIC HOSE HEAT .....54

**OPTIONAL EQUIPMENT .....56**

    HOSE EQUIPMENT .....56

**ELECTRICAL SCHEMATIC DIAGRAMS.....57**

STANDARD.....57

*Single Transformer 220V Single Phase* .....57

*Single Transformer 220V Three Phase* .....63

*Single Transformer 380V Three Phase* .....69

INDIVIDUAL HEAT (IH) .....75

*Dual Transformer 220V Single Phase* .....75

*Dual Transformer 220V Three Phase* .....81

*Dual Transformer 380V Three Phase* .....87

**INSTRUCTION MANUAL DISCREPANCY REPORT.....93**

## **LIST OF FIGURES**

FIGURE 1. H-2000 ASSEMBLY, (PART NO. 15000A-SIZE), EXPLODED VIEW, SHEET 1 OF 4 .....	8
FIGURE 2. H-2000 ASSEMBLY, (PART NO. 15000A-SIZE), EXPLODED VIEW, SHEET 2 OF 4 .....	10
FIGURE 3. H-2000 ASSEMBLY, (PART NO. 15000A-SIZE), EXPLODED VIEW, SHEET 3 OF 4 .....	11
FIGURE 4. H-2000 ASSEMBLY, (PART NO. 15000A-SIZE), EXPLODED VIEW, SHEET 4 OF 4 .....	12
FIGURE 5. ELECTRIC CONSOLE, (STANDARD), EXPLODED VIEW, SHEET 1 OF 2 .....	14
FIGURE 6. ELECTRIC CONSOLE, (STANDARD), EXPLODED VIEW, SHEET 2 OF 2 .....	16
FIGURE 7. H-2000 (IH) ASSEMBLY, (PART NO. 15000A-SIZE-IH), EXPLODED VIEW, SHEET 1 OF 5 .....	18
FIGURE 8. H-2000 (IH) ASSEMBLY, (PART NO. 15000A-SIZE-IH), EXPLODED VIEW, SHEET 2 OF 5 .....	20
FIGURE 9. H-2000 (IH) ASSEMBLY, (PART NO. 15000A-SIZE-IH), EXPLODED VIEW, SHEET 3 OF 5 .....	21
FIGURE 10. H-2000 (IH) ASSEMBLY, (PART NO. 15000A-SIZE-IH), EXPLODED VIEW, SHEET 4 OF 5 .....	22
FIGURE 11. H-2000 (IH) ASSEMBLY, (PART NO. 15000A-SIZE-IH), EXPLODED VIEW, SHEET 5 OF 5 .....	23
FIGURE 12. ELECTRIC CONSOLE, (IH), EXPLODED VIEW, SHEET 1 OF 2 .....	24
FIGURE 13. ELECTRIC CONSOLE, (IH), EXPLODED VIEW, SHEET 2 OF 2 .....	26
FIGURE 14. CENTER AND BASE ASSEMBLY, (PART NO. 15500A-SIZE), EXPLODED VIEW .....	28
FIGURE 15. BASE ASSEMBLY, (STANDARD & INDIVIDUAL HEAT), (IH ASSY SHOWN), EXPLODED VIEW .....	32
FIGURE 16. TRANSFORMER PLATE ASSEMBLY, (PART NO. 15501-23), EXPLODED VIEW .....	36
FIGURE 17. REVERSING SWITCH ASSEMBLY, (PART NO. 1521), EXPLODED VIEW .....	37
FIGURE 18. LUBE RESERVOIR HOSE ASSEMBLY, (PART NO. 15585), EXPLODED VIEW .....	38
FIGURE 19. HYDRAULIC CYLINDER WITH SPACER, (PART NO. 15511), EXPLODED VIEW .....	40
FIGURE 20. PROPORTIONING PUMP ASSEMBLY, (PART NO. 15400-SIZE AND 15450-SIZE), EXPLODED VIEW .....	42
FIGURE 21. # 60 AND 96 SIZE PUMP, (PART NO. 15400-SIZE AND 15450-SIZE), EXPLODED VIEW .....	46
FIGURE 22. #120 SIZE PUMP, (PART NO. 15400-120 AND 15450-120), EXPLODED VIEW .....	48
FIGURE 23. #40 SIZE PUMP, (PART NO. 15400-40 AND 15450-40), EXPLODED VIEW .....	49
FIGURE 24. PUMP BASE ASSEMBLY, (PART NO. 15428, 15478), EXPLODED VIEW .....	50
FIGURE 25. PRIMARY HEATER ASSEMBLY, (PART NO. 15310B, 15360B), EXPLODED VIEW .....	52
FIGURE 26. AUTOMATIC HOSE HEAT, (PART NO. 1277), EXPLODED VIEW .....	54
FIGURE 27. H-2000 SINGLE TRANSFORMER 220V SINGLE PHASE, (SHT 1 OF 3) .....	57
FIGURE 28. H-2000 SINGLE TRANSFORMER 220V SINGLE PHASE, (SHT 2 OF 3) .....	58
FIGURE 29. H-2000 SINGLE TRANSFORMER 220V SINGLE PHASE, (SHT 3 OF 3) .....	59
FIGURE 30. H-2000 SINGLE TRANSFORMER 220V THREE PHASE, (SHT 1 OF 3) .....	63
FIGURE 31. H-2000 SINGLE TRANSFORMER 220V THREE PHASE, (SHT 2 OF 3) .....	64
FIGURE 32. H-2000 SINGLE TRANSFORMER 220V THREE PHASE, (SHT 3 OF 3) .....	65
FIGURE 33. H-2000 SINGLE TRANSFORMER 380V THREE PHASE, (SHT 1 OF 3) .....	69
FIGURE 34. H-2000 SINGLE TRANSFORMER 380V THREE PHASE, (SHT 2 OF 3) .....	70
FIGURE 35. H-2000 SINGLE TRANSFORMER 380V THREE PHASE, (SHT 3 OF 3) .....	71
FIGURE 36. H-2000 DUAL TRANSFORMER 220V SINGLE PHASE, (SHT 1 OF 3) .....	75
FIGURE 37. H-2000 DUAL TRANSFORMER 220V SINGLE PHASE, (SHT 2 OF 3) .....	76
FIGURE 38. H-2000 DUAL TRANSFORMER 220V SINGLE PHASE, (SHT 3 OF 3) .....	77
FIGURE 39. H-2000 DUAL TRANSFORMER 220V THREE PHASE, (SHT 1 OF 3) .....	81
FIGURE 40. H-2000 DUAL TRANSFORMER 220V THREE PHASE, (SHT 2 OF 3) .....	82
FIGURE 41. H-2000 DUAL TRANSFORMER 220V THREE PHASE, (SHT 3 OF 3) .....	83
FIGURE 42. H-2000 DUAL TRANSFORMER 380V THREE PHASE, (SHT 1 OF 3) .....	87
FIGURE 43. H-2000 DUAL TRANSFORMER 380V THREE PHASE, (SHT 2 OF 3) .....	88
FIGURE 44. H-2000 DUAL TRANSFORMER 380V THREE PHASE, (SHT 3 OF 3) .....	89

## LIST OF TABLES

TABLE 1. H-2000 ASSEMBLY, (PART NO.15000A-SIZE), PARTS LIST, SHEET 1 OF 4.....	9
TABLE 2. H-2000 ASSEMBLY, (PART NO. 15000A-SIZE), PARTS LIST, SHEET 2 OF 4.....	10
TABLE 3. H-2000 ASSEMBLY, (PART NO. 15000A-SIZE), PARTS LIST, SHEET 3 OF 4.....	11
TABLE 4. H-2000 ASSEMBLY, (PART NO. 15000A-SIZE), PARTS LIST, SHEET 4 OF 4.....	13
TABLE 5. ELECTRIC CONSOLE, (STANDARD), PARTS LIST, SHEET 1 OF 2 .....	15
TABLE 6. ELECTRIC CONSOLE, (STANDARD), PARTS LIST, SHEET 2 OF 2 .....	17
TABLE 7. H-2000 (IH) ASSEMBLY, (PART NO. 15000A-SIZE-IH), PARTS LIST, SHEET 1 OF 5.....	19
TABLE 8. H-2000 (IH) ASSEMBLY, (PART NO. 15000A-SIZE-IH), PARTS LIST, SHEET 2 OF 5.....	20
TABLE 9. H-2000 (IH) ASSEMBLY, (PART NO. 15000A-SIZE-IH), PARTS LIST, SHEET 3 OF 5.....	21
TABLE 10. H-2000 (IH) ASSEMBLY, (PART NO. 15000A-SIZE-IH), PARTS LIST, SHEET 4 OF 5.....	22
TABLE 11. H-2000 (IH) ASSEMBLY, (PART NO. 15000A-SIZE-IH), PARTS LIST, SHEET 5 OF 5.....	23
TABLE 12. ELECTRIC CONSOLE, (IH), PARTS LIST, SHEET 1 OF 2.....	25
TABLE 13. ELECTRIC CONSOLE, (IH), PARTS LIST, SHEET 2 OF 2.....	27
TABLE 14. CENTER AND BASE ASSEMBLY, (PART NO. 15500A-SIZE), PARTS LIST .....	29
TABLE 15. BASE ASSEMBLY, (STANDARD & INDIVIDUAL HEAT), PARTS LIST .....	33
TABLE 16. TRANSFORMER PLATE ASSEMBLY, (PART NO. 15501-23), PARTS LIST .....	36
TABLE 17. REVERSING SWITCH ASSEMBLY, (PART NO. 1521), PARTS LIST .....	37
TABLE 18. LUBE RESERVOIR HOSE ASSEMBLY, (PART NO. 15585), PARTS LIST .....	39
TABLE 19. HYDRAULIC CYLINDER WITH SPACER, (PART NO. 15511), PARTS LIST .....	41
TABLE 20. PROPORTIONING PUMP ASSEMBLY, (PART NO. 15400-SIZE AND 15450-SIZE), PARTS.....	43
TABLE 21. SCHEDULE OF PARTS, (PUMP SIZES 24, 30, 44, AND 48) .....	44
TABLE 22. SCHEDULE OF PARTS, (PUMP SIZES 80, 88, 104, AND 112) .....	44
TABLE 23. SCHEDULE OF QUANTITIES .....	45
TABLE 24. RESISTANCE OF PRIMARY HEATER HEATING ELEMENTS .....	45
TABLE 25. PUMP CYCLE COUNTER CHART, (CYCLE TO PROPORTIONING PUMP RATIO RELATIONSHIP) .....	45
TABLE 26. PROPORTIONING PUMP RATIO SPECIFICATIONS .....	45
TABLE 27. # 60 AND 96 SIZE PUMPS, (PART NO. 15400-SIZE AND 15450-SIZE), PARTS .....	47
TABLE 28. SCHEDULE OF PARTS (PUMP SIZES 60 AND 96).....	47
TABLE 29. #120 SIZE PUMP, (PART NO. 15400-120 AND 15450-120), PARTS .....	48
TABLE 30. #40 SIZE PUMP, (PART NO. 15400-40 AND 15450-40), PARTS .....	49
TABLE 31. PUMP BASE ASSEMBLY, (PART NO. 15428, 15478), PARTS LIST .....	51
TABLE 32. PRIMARY HEATER ASSEMBLY, (PART NO. 15310B, 15360B), PARTS LIST .....	53
TABLE 33. AUTOMATIC HOSE HEAT, (PART NO. 1277), PARTS LIST .....	55
TABLE 34. DUAL HEATED HOSE ASSEMBLY, (GENERALLY USED WITH AN H-2000) .....	56
TABLE 35. H-2000 SINGLE TRANSFORMER 220V SINGLE PHASE, (PARTS LIST) .....	60
TABLE 36. H-2000 SINGLE TRANSFORMER 220V THREE PHASE, (PARTS LIST) .....	66
TABLE 37. H-2000 SINGLE TRANSFORMER 380V THREE PHASE, (PARTS LIST) .....	72
TABLE 38. H-2000 DUAL TRANSFORMER 220V SINGLE PHASE, (PARTS LIST).....	78
TABLE 39. H-2000 DUAL TRANSFORMER 220V THREE PHASE, (PARTS LIST) .....	84
TABLE 40. H-2000 DUAL TRANSFORMER 380V THREE PHASE, (PARTS LIST) .....	90

---

## WARRANTY

---

Gusmer Corporation (Gusmer) provides a limited warranty to the original purchaser (Customer) of Gusmer manufactured parts and equipment (Product) against any defects in material or workmanship for a period of one year from the date of shipment from Gusmer facilities.

In the event Product is suspected to be defective in material or workmanship, it must be returned to Gusmer, freight prepaid. If Product is found to be defective in material or workmanship, as determined solely by Gusmer, Gusmer will issue full credit to Customer for the freight charges incurred in returning the defective Product, and either credit will be issued for the replacement cost of the Product or a replacement part will be forwarded no-charge, freight prepaid to Customer.

This warranty shall not apply to Product Gusmer finds to be defective resulting from: installation, use, maintenance, or procedures not accomplished in accordance with our instructions; normal wear; accident; negligence; alterations not authorized in writing by Gusmer; use of "look alike" parts not manufactured or supplied by Gusmer; or Product used in conjunction with any other manufacturer's pumping or proportioning equipment. Further, the terms and conditions of this warranty shall not apply to services or repairs made to Product by any third party not authorized in writing by Gusmer. For such Product, a written estimate will be submitted to Customer at a nominal service charge, itemizing the cost for repair. Disposition of Product will be done in accordance with the terms stated on the written estimate.

The warranty provisions applied to product that are not manufactured by Gusmer will be solely in accordance with the warranty provided by the original manufacturer of the product.

GUSMER MAKES NO WARRANTY WHATSOEVER AS TO THE MERCHANTABILITY OF, OR SUITABILITY FOR, ITS PRODUCT TO PERFORM ANY PARTICULAR PURPOSE. CREDIT FOR, OR REPLACEMENT OF, PRODUCT DEFECTIVE IN MATERIAL OR WORKMANSHIP SHALL CONSTITUTE COMPLETE FULFILLMENT OF GUSMER OBLIGATIONS TO CUSTOMER. NO OTHER WARRANTY, EXPRESSED OR IMPLIED ON ANY PRODUCT IT MANUFACTURES AND/OR SELLS, WILL BE RECOGNIZED BY GUSMER UNLESS SAID WARRANTY IS IN WRITING AND APPROVED BY AN OFFICER OF GUSMER.

Under no circumstances shall Gusmer be liable for loss of prospective or speculative profits, or special indirect, incidental or consequential damages. Further, Gusmer shall have no liability for any expenses including, but not limited to personal injury or property damage resulting from failure of performance of the product, use of the product, or application of the material dispensed through the product. Any information provided by Gusmer that is based on data received from a third source, or that pertains to product not manufactured by Gusmer, while believed to be accurate and reliable, is presented without guarantee, warranty, or responsibility of any kind, expressed or implied.

Gusmer through the sale, lease, or rental of Product in no way expresses or implies a license for the use of, nor encourages the infringement of any patents or licenses.

To insure proper validation of your warranty, please complete the warranty card and return it to Gusmer within two weeks of receipt of equipment.

Revised 11/12/98

---

# H-2000 ASSEMBLY

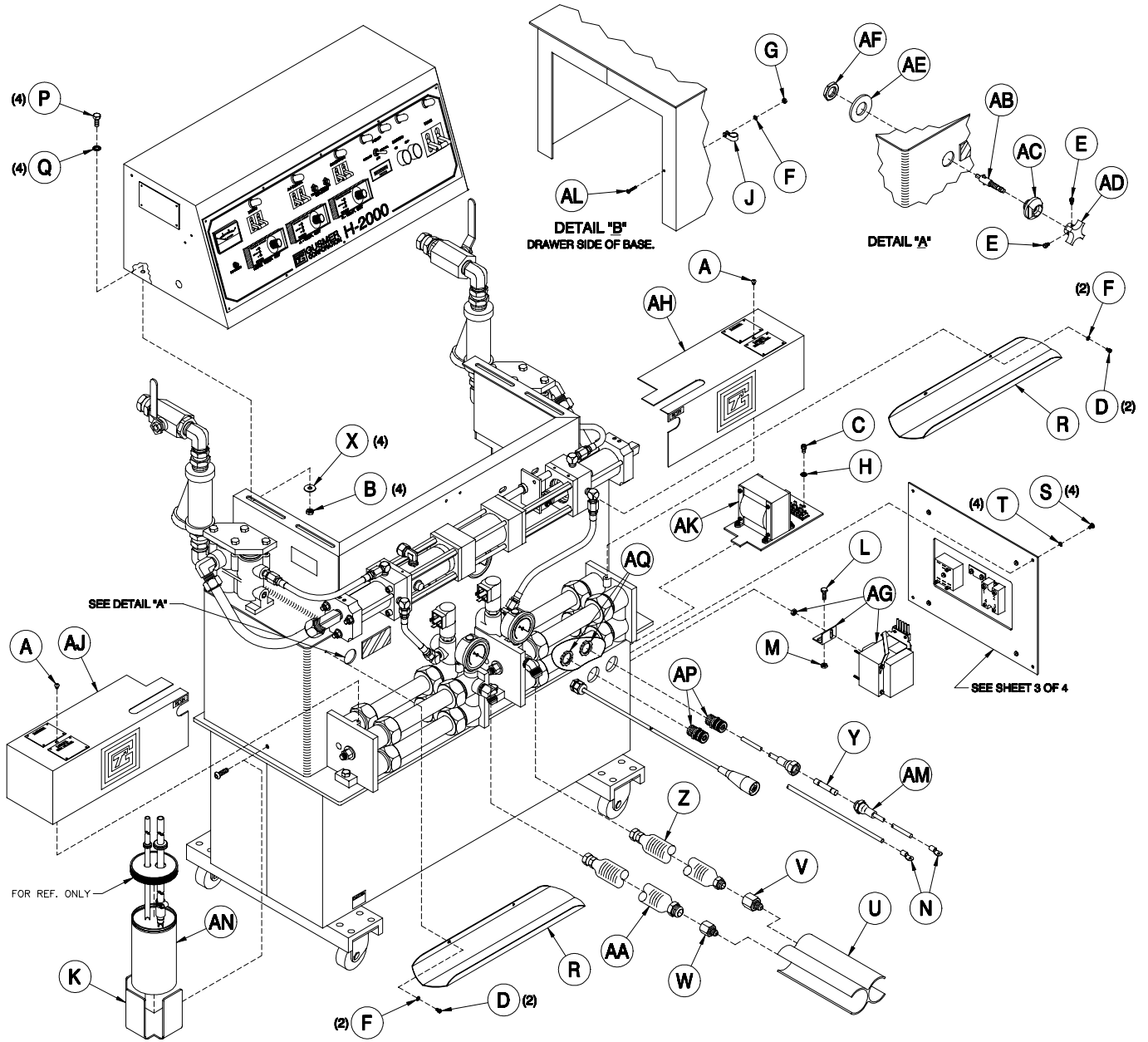


Figure 1. H-2000 Assembly, (Part No. 15000A-SIZE), Exploded View, Sheet 1 of 4



TABLE 1. H-2000 ASSEMBLY, (PART No.15000A-SIZE), PARTS LIST, SHEET 1 OF 4

Reference Letter	Part Number	Description	Quantity
A	0203-20	Slot Hex Head Screw w/ Washer	2
B	0370-1	Hex Nut	4
C	0371	Socket Head Cap Screw	1
D	0379-2	Socket Head Cap Screw	4
E	0555-3	Socket Head Set Screw	2
F	0651A-10	Lockwasher	5
G	0651A-9	Hex Nut	1
H	0665-4	Lockwasher	1
J	0681A	Cable Clamp	1
K	1486A	Lube Reservoir Bracket	1
L	1645-2	Hex Head Cap Screw	1
M	1645-3	Hex Locknut	1
N	1650-19	Stud Ring	2
P	1701-4	Hex Head Cap Screw	4
Q	1701-5	Internal Lockwasher	4
R	1702-8	Service Pan	2
S	4605-3	Pan Head Machine Screw	4
T	4702-7-4	Internal Lockwasher	4
U	5204	Electrical Isolator	1
V	5253A	R-Hose Adapter	1
W	5254A	A-Hose Adapter	1
X	5829-7	Flat Washer	4
Y	6690-24-14	50 Amp Fuse	1
Z	14270-1/2-1	1/2 X 2 R-Isolation Hose	1
AA	14270-1/2-2	1/2 X 2 A-Isolation Hose	1
AB	14556	Compensator Shaft Assy	1
AC	14557	Retainer	1
AD	14558	Knob (Includes E)	1
AE	14559	Washer	1
AF	14560	Hex Nut	1
AG	15276	Transformer Assy (See Sheet 4)	1
AH	15311	R-Preheater Cover	1
AJ	15361	A-Preheater Cover	1
AK	15501-23	Transformer Plate Assy	1
AL	15501-23-3	Flat Head Cap Screws	1
AM	15501A-28	Hose Conn. Lead W/Fuse Holder	1
AN	15586	Lube Bottle	1
AP	OP482-17-1	Bushing	2
AQ	OP482-17-2	Locknut	2

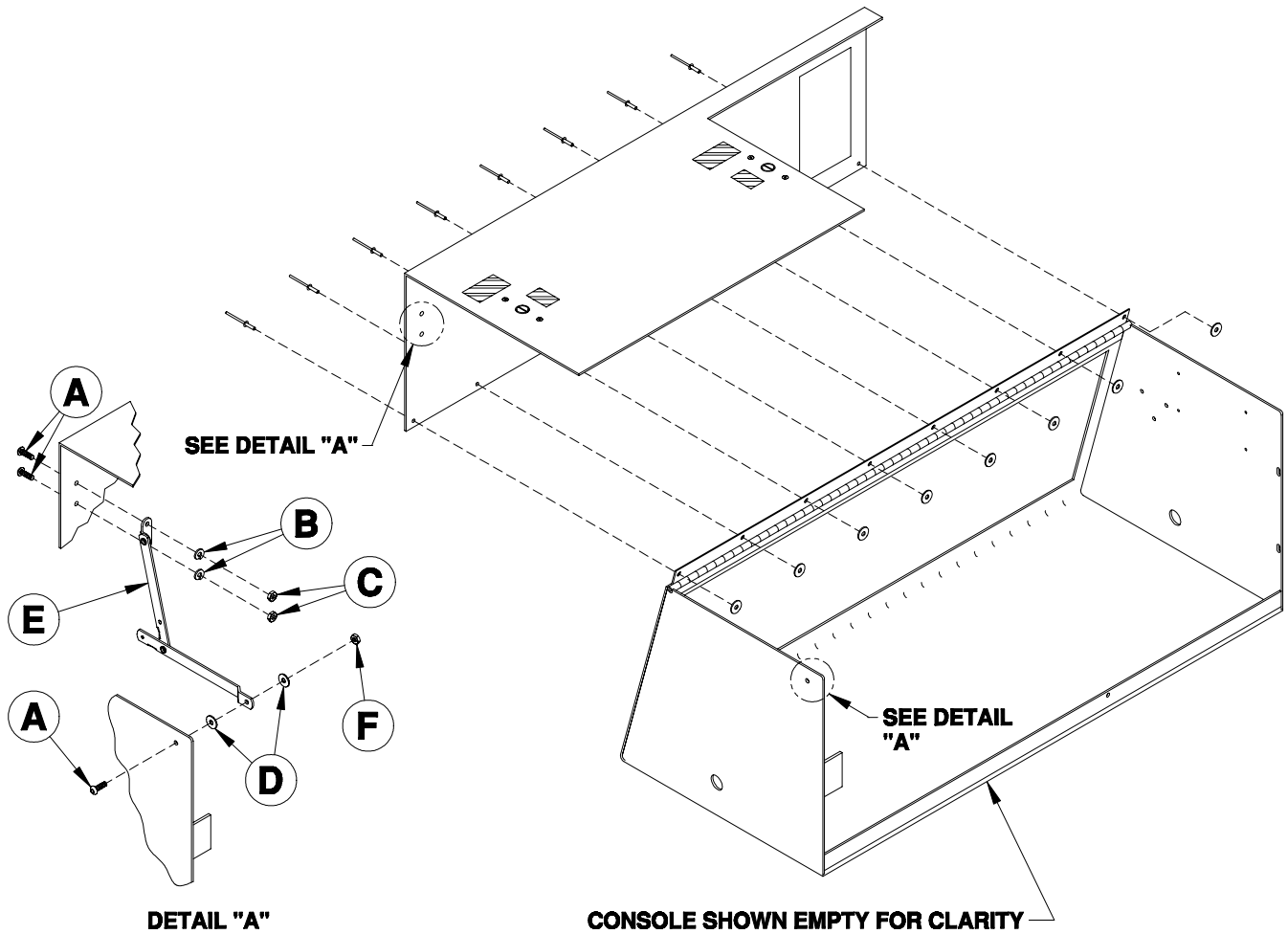


Figure 2. H-2000 Assembly, (Part No. 15000A-SIZE), Exploded View, Sheet 2 of 4

TABLE 2. H-2000 ASSEMBLY, (PART No. 15000A-SIZE), PARTS LIST, SHEET 2 OF 4

Reference Letter	Part Number	Description	Quantity
A	1404A	Button Head Cap Screw	3
B	1701-15-8	Lockwasher	2
C	1701-15-9	Hex Nut	2
D	4805-5	Flat Washer	2
E	11650-2	Lid Support	1
F	11650-3	Lock Nut	1

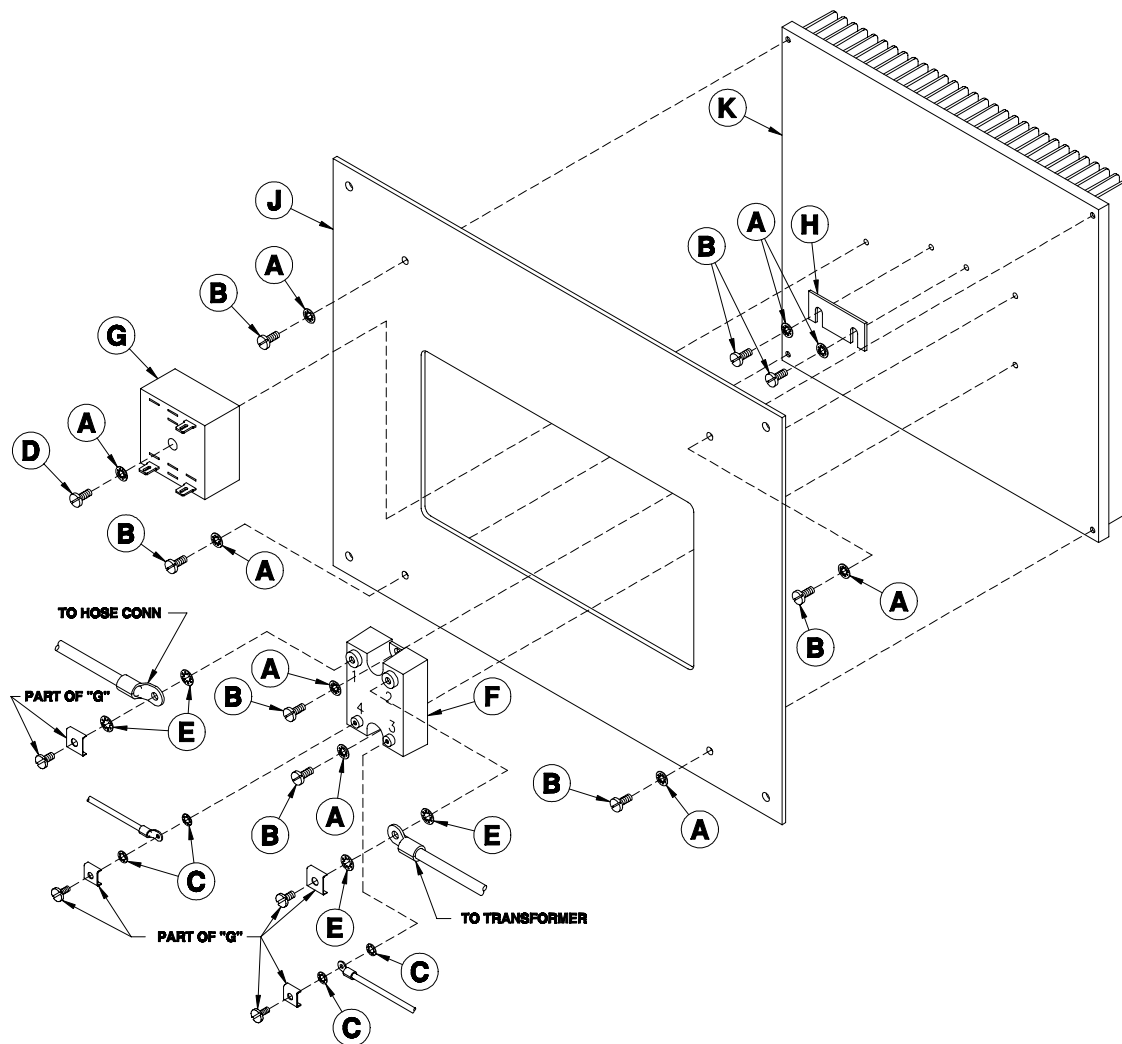


Figure 3. H-2000 Assembly, (Part No. 15000A-SIZE), Exploded View, Sheet 3 of 4

TABLE 3. H-2000 ASSEMBLY, (PART NO. 15000A-SIZE), PARTS LIST, SHEET 3 OF 4

Reference Letter	Part Number	Description	Quantity
A	0651A-10	Lockwasher	9
B	0651A-8	Pan Head Machine Screw	8
C	1601-3	Internal Lockwasher	4
D	2015	Socket Head Cap Screw	1
E	4702-7-4	Internal Lockwasher	4
F	6690-1-7	Power Cube 80 AMP	1
G	6690-26-18	Phase Control	1
H	14667	Terminal Jumper	1
J	15501-21-1	Door Frame	1
K	15501-21-2	Heat Sink	1
Not Shown	15300-34	Heat Sink Compound	As Required

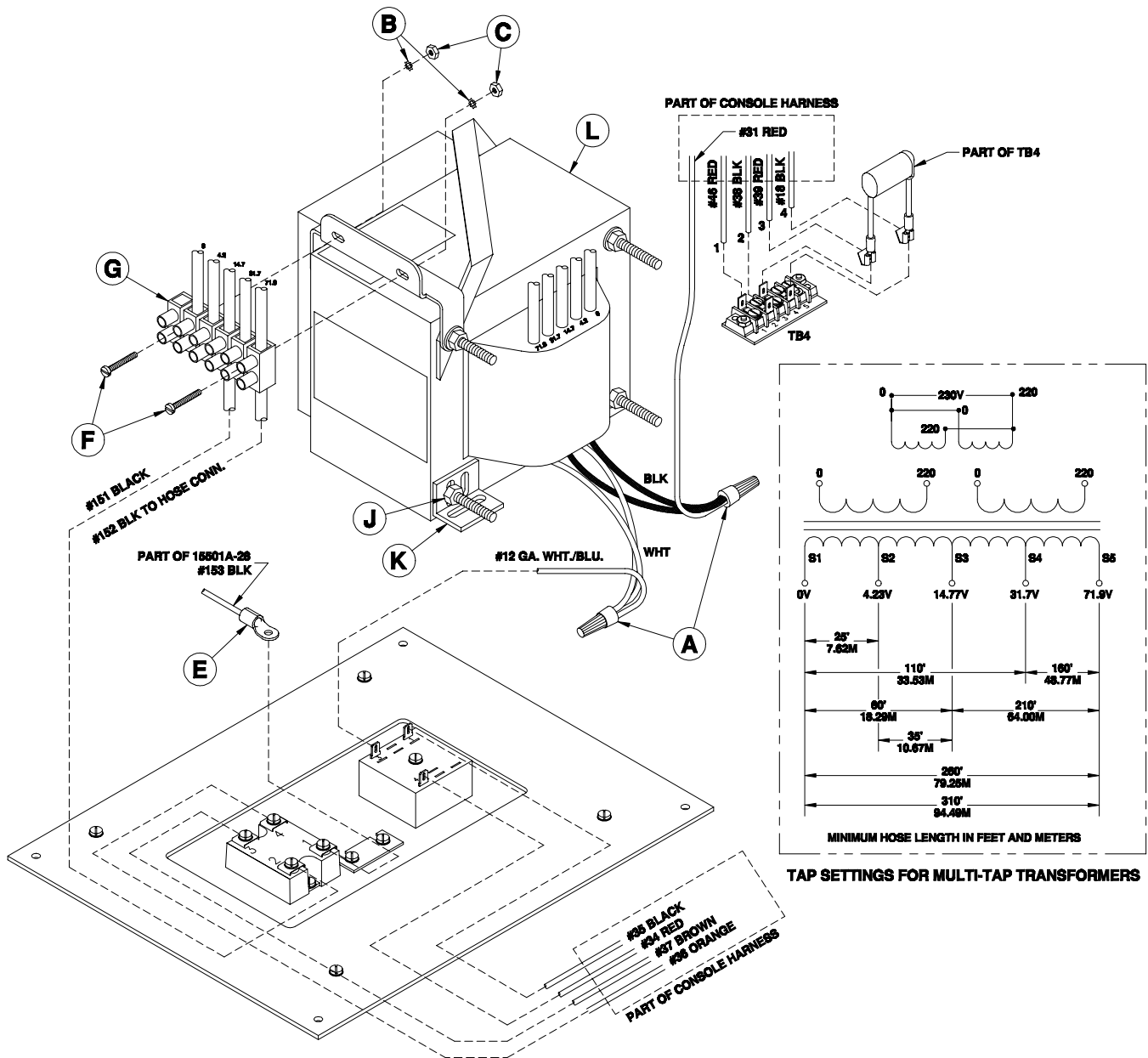


Figure 4. H-2000 Assembly, (Part No. 15000A-SIZE), Exploded View, Sheet 4 of 4

TABLE 4. H-2000 ASSEMBLY, (PART No. 15000A-SIZE), PARTS LIST, SHEET 4 OF 4

Reference Letter	Part Number	Description	Quantity
A	0363A	Insulating Wire Nut	A/R
B	0651A-10	Lockwasher	2
C	0651A-9	Hex Nut	2
E	1650-19	Stud Ring	1
F	60302	Round Head Machine Screws	2
G	6690-20-5-6	Terminal Block	1
J	1645-3	Hex Locknut	1
K	5615A-2	Transformer Bracket	1
L	15276	Transformer Assy (Includes B, C, F, G, J, K)	1

## ELECTRIC CONSOLE (STANDARD)

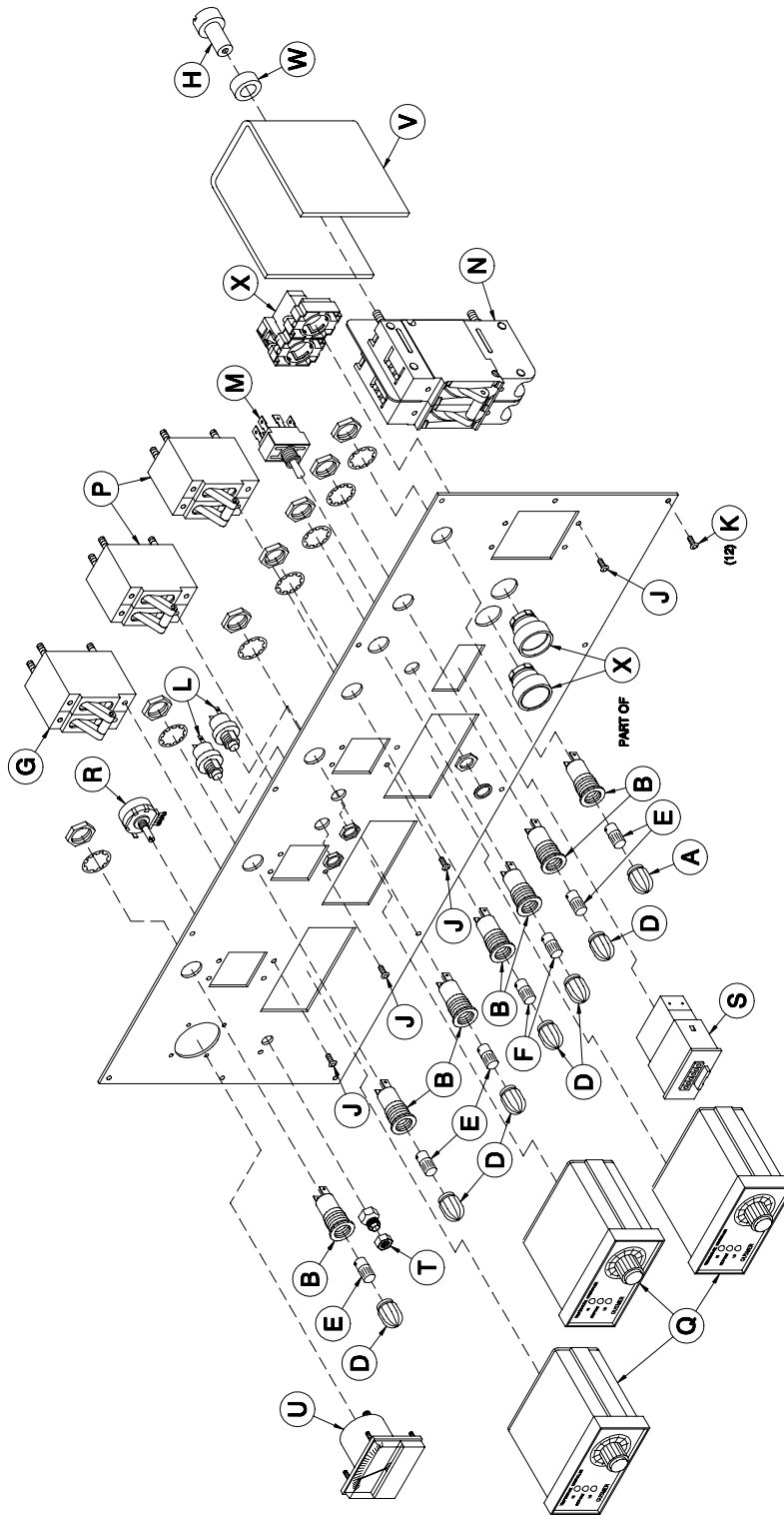


Figure 5. Electric Console, (STANDARD), Exploded View, sheet 1 of 2

TABLE 5. ELECTRIC CONSOLE, (STANDARD), PARTS LIST, SHEET 1 OF 2

Reference Letter	Part Number	Description	Quantity
A	0656	White Lens	1
B	6690-19-25	Light Base	7
D	0660	Amber Lens	6
E	6690-19-24	Bulb	5
F	0662A	Incandescent Bulb	2
G	0692-1-25	25 AMP Circuit Breaker	1
H	5657B	CB Shield Fastener	1
J	6113-10	Button Head Cap Screw (1 Phase Only)	16
	6113-10	Button Head Cap Screw (3 Phase Only)	18
K	6113-8	Button Head Cap Screw	12
L	6651-9	Pushbutton Switch	2
M	6690-16-6	Toggle Switch	1
N	6690-25-3	110 Amp Circuit Breaker (1 Phase only)	1
	5601A-1	70 Amp Circuit Breaker (3 Phase only)	1
P	6690-25-4	50 AMP Circuit Breaker	2
Q	6690-26-9	Temperature Controller	3
R	6690-5-17	Potentiometer	1
S	9651-6-2	Counter	1
T	9651-6-5	Shaft Lock	1
U	9651-6-8	Ammeter	1
V	15662	Shield (1 Phase only)	1
	5656B	Shield (3 Phase only)	1
W	15663	Spacer (1 Phase only)	1
X	50602-1	Pushbutton Switch 10A	1

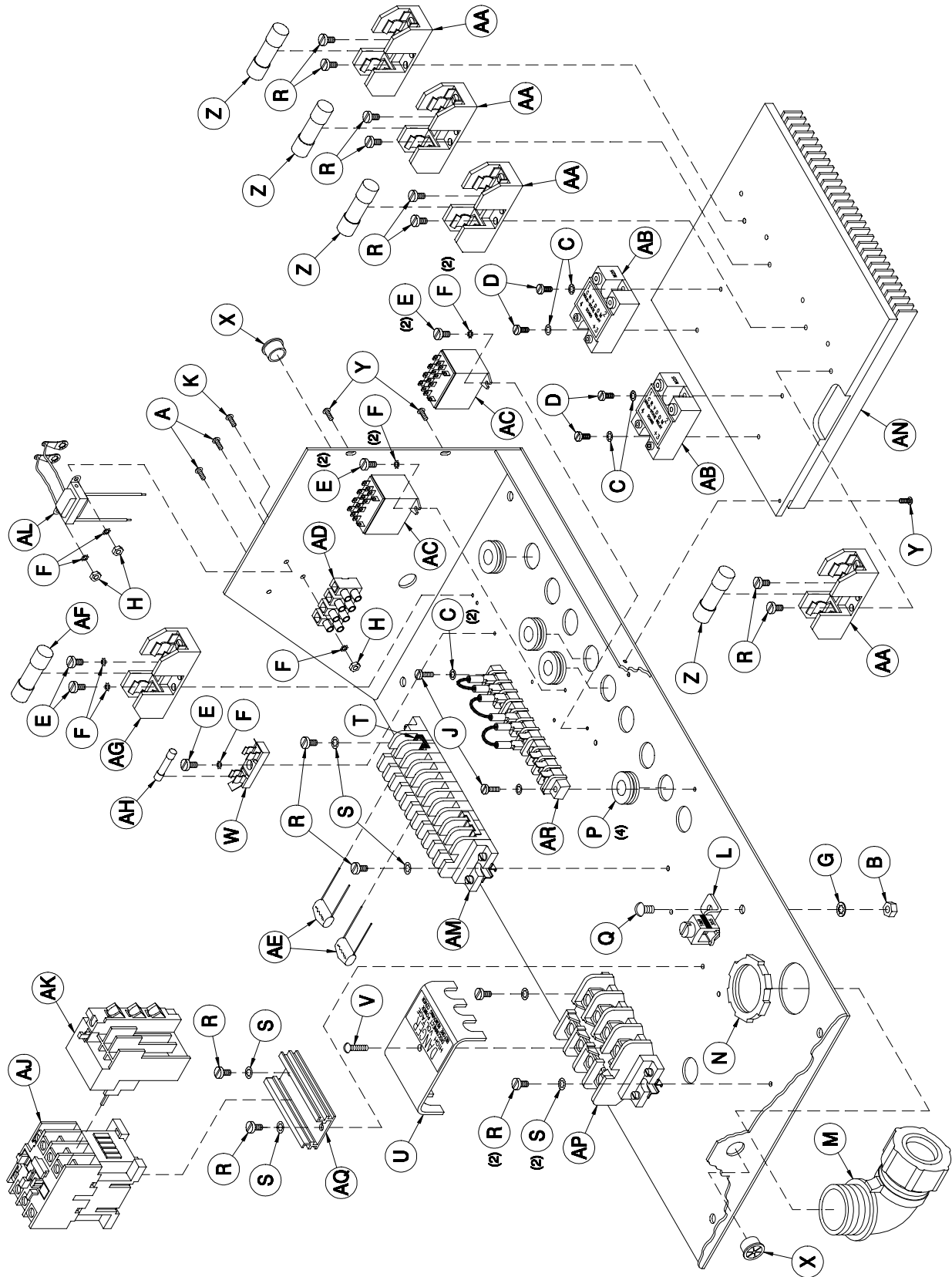


Figure 6. Electric Console, (STANDARD), Exploded View, Sheet 2 of 2



TABLE 6. ELECTRIC CONSOLE, (STANDARD), PARTS LIST, SHEET 2 OF 2

Reference Letter	Part Number	Description	Quantity
A	0368	Binder Head Mach Screw	2
B	0385-4	Hex Nut	1
C	0651A-10	Lockwasher	6
D	0651A-8	Pan Head Machine Screw	4
E	0655-2	Pan Head Machine Screw	7
F	0655-4	Lockwasher	10
G	0665-4	Lockwasher	1
H	0668-3	Hex Nut	3
J	0689-2	Pan Head Machine Screw	2
K	0698-3	Pan Head Machine Screw	1
L	1645-1	Terminal Lug	1
M	1646-1	Conduit Elbow	1
N	1646-2	Locknut	1
P	1701-16	Grommet	4
Q	4605-10	Round Head Machine Screw	1
R	4605-3	Pan Head Machine Screw	14
S	4702-7-4	Internal Lockwasher	6
T	5612-4	Terminal Block Jumper	1
U	5612B-2	Terminal Guard	1
V	5612B-3	Nylon Screw	1
W	5653B	Fuse Holder	1
X	5703D-10	Bushing	2
Y	6113-10	Button Head Cap Screw	3
Z	6651-5	30 AMP Fuse	4
AA	6651-6	30 AMP Fuse Block	4
AB	6690-1-55-1	SS Relay 480/50 Amp	2
AC	6690-1-14	Relay	2
AD	6690-20-1-4	Terminal Block	1
AE	6690-21-1	Quencharc	1
AF	6690-24-1	25 AMP Fuse	1
AG	6690-24-2	30 AMP Fuse Block	1
AH	6690-24-3	8 AMP Fuse	1
AJ	6690-27-7	Power Contactor 50/60 HZ	1
AK	6690-27-10	Overload Relay (1x220 V, 5HP)	1
	6690-27-8	Overload Relay (3x220 V, 5HP)	1
	6690-27-11	Overload Relay (3x380 V, 5HP)	1
AL	9651-6-9	Transformer	1
AM	15651	Main Terminal Block Assy	1
AN	15652	Heat Sink	1
AP	15655	Main Power Term Block Assy	1
AQ	15656	3" Mounting Track	1
AR	15661	Auxiliary Terminal Block	1

# H-2000 INDIVIDUAL HEAT (IH) ASSEMBLY

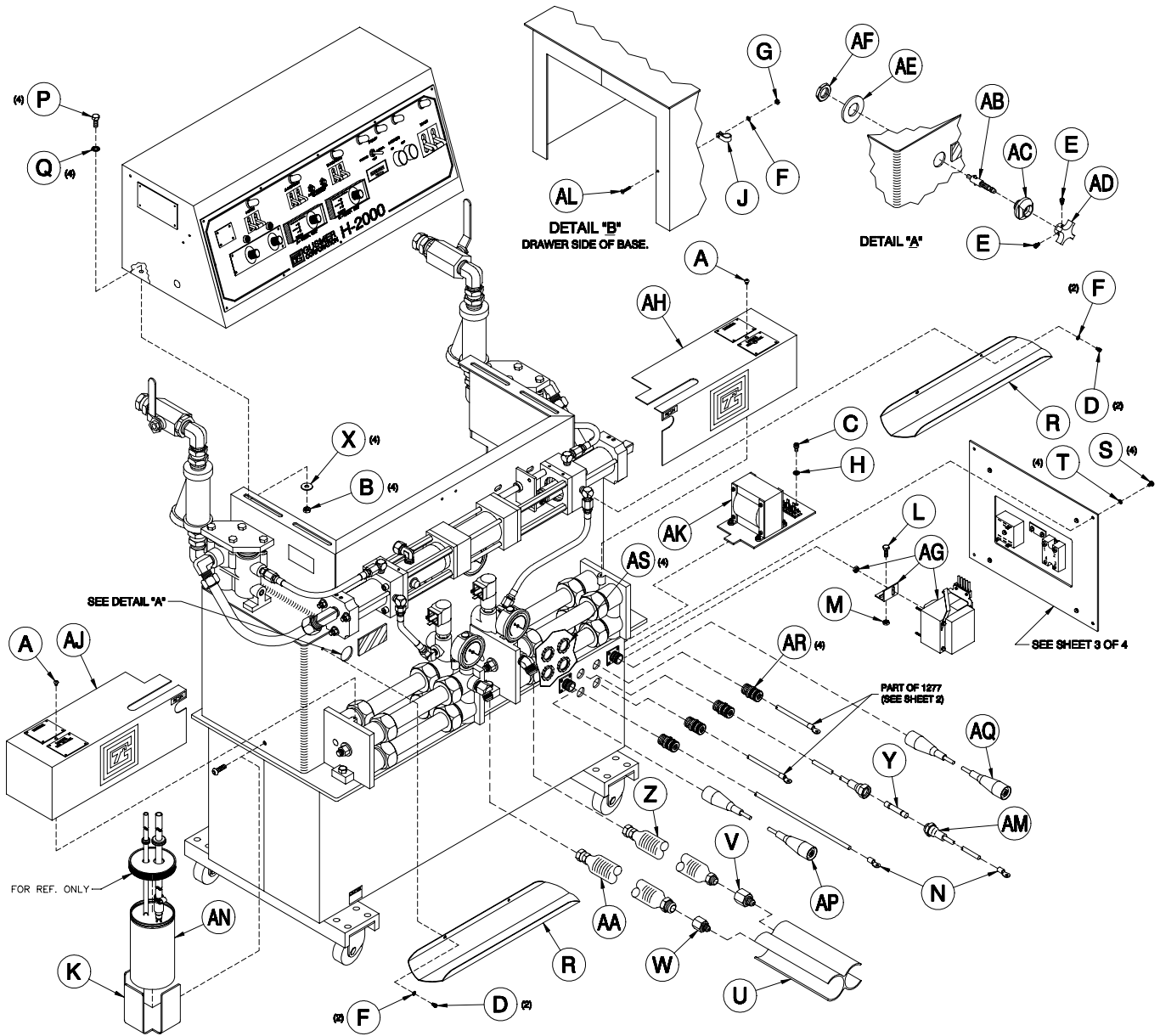


Figure 7. H-2000 (IH) Assembly, (Part No15000A-Size-IH), Exploded View, Sheet 1 of 5

TABLE 7. H-2000 (IH) ASSEMBLY, (PART NO. 15000A-SIZE-IH), PARTS LIST, SHEET 1 OF 5

Reference Letter	Part Number.	Description	Quantity
A	0203-20	Slot Hex Head Screw w/ Washer	2
B	0370-1	Hex Nut	4
C	0371	Socket Head Cap Screw	1
D	0379-2	Socket Head Cap Screw	4
E	0555-3	Socket Head Set Screw	2
F	0651A-10	Lockwasher	5
G	0651A-9	Hex Nut	1
H	0665-4	Lockwasher	1
J	0681A	Cable Clamp	1
K	1486A	Lube Reservoir Bracket	1
L	1645-2	Hex Head Cap Screw	1
M	1645-3	Hex Locknut	1
N	1650-19	Stud Ring	2
P	1701-4	Hex Head Cap Screw	4
Q	1701-5	Internal Lockwasher	4
R	1702-8	Service Pan	2
S	4605-3	Pan Head Machine Screw	4
T	4702-7-4	Internal Lockwasher	4
U	5204	Electrical Isolator	1
V	5253A	R-Hose Adapter	1
W	5254A	A-Hose Adapter	1
X	5829-7	Flat Washer	4
Y	6690-24-14	50 Amp Fuse	1
Z	14270-1/2-1	1/2 X 2 R-Isolation Hose	1
AA	14270-1/2-2	1/2 X 2 A-Isolation Hose	1
AB	14556	Compensator Shaft Assy	1
AC	14557	Retainer	1
AD	14558	Knob (Includes D)	1
AE	14559	Washer	1
AF	14560	Hex Nut	1
AG	15276	Transformer Assy (See Sheet 5)	1
AH	15311	R-Preheater Cover	1
AJ	15361	A-Preheater Cover	1
AK	15501-23	Transformer Plate Assy	1
AL	15501-23-3	Flat Head Cap Screws	1
AM	15501-28	Hose Conn. Lead W/Fuse Holder	1
AN	15586	Lube Bottle	1
AP	20207-3	TSU Extension Adapter	1
AQ	20207-3-IHTC	TSU Extension Adapter	1
AR	OP482-17-1	Bushing	4
AS	OP482-17-2	Locknut	4

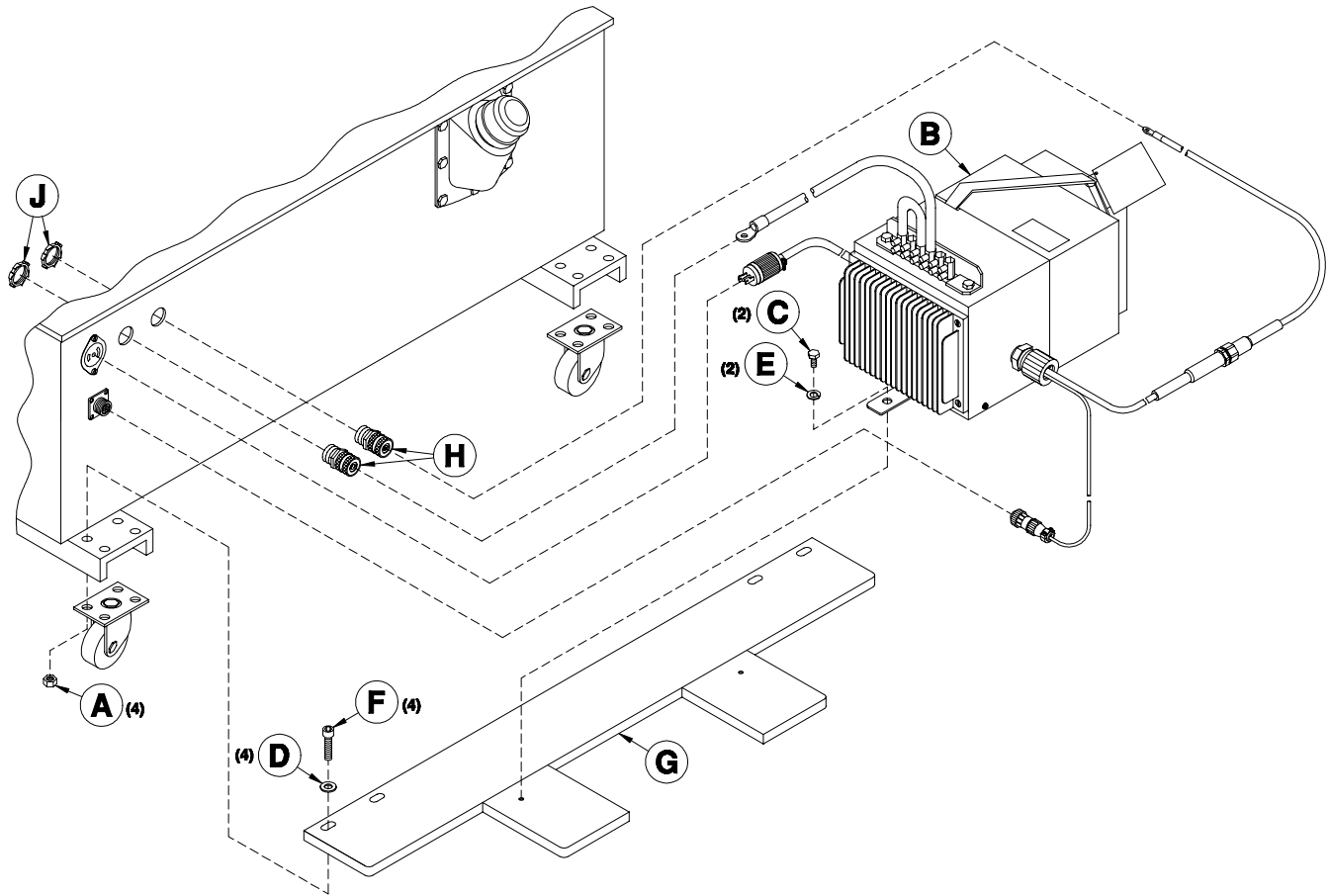


Figure 8. H-2000 (IH) Assembly, (Part No. 15000A-SIZE-IH), Exploded View, Sheet 2 of 5

TABLE 8. H-2000 (IH) ASSEMBLY, (PART NO. 15000A-SIZE-IH), PARTS LIST, SHEET 2 OF 5

Reference Letter	Part Number	Description	Quantity
A	0370-1	Hex Nut	4
B	1277	Power Pack	1
C	1654-2	Hex Head Cap Screw	2
D	5829-7	Flat Washer	4
E	9758	Lockwasher	2
F	14409	Socket Head Cap Screw	4
G	15501-23-DT	Transformer Plate Assy	1
H	OP482-17-1	Bushing	2
J	OP482-17-2	Locknut	2

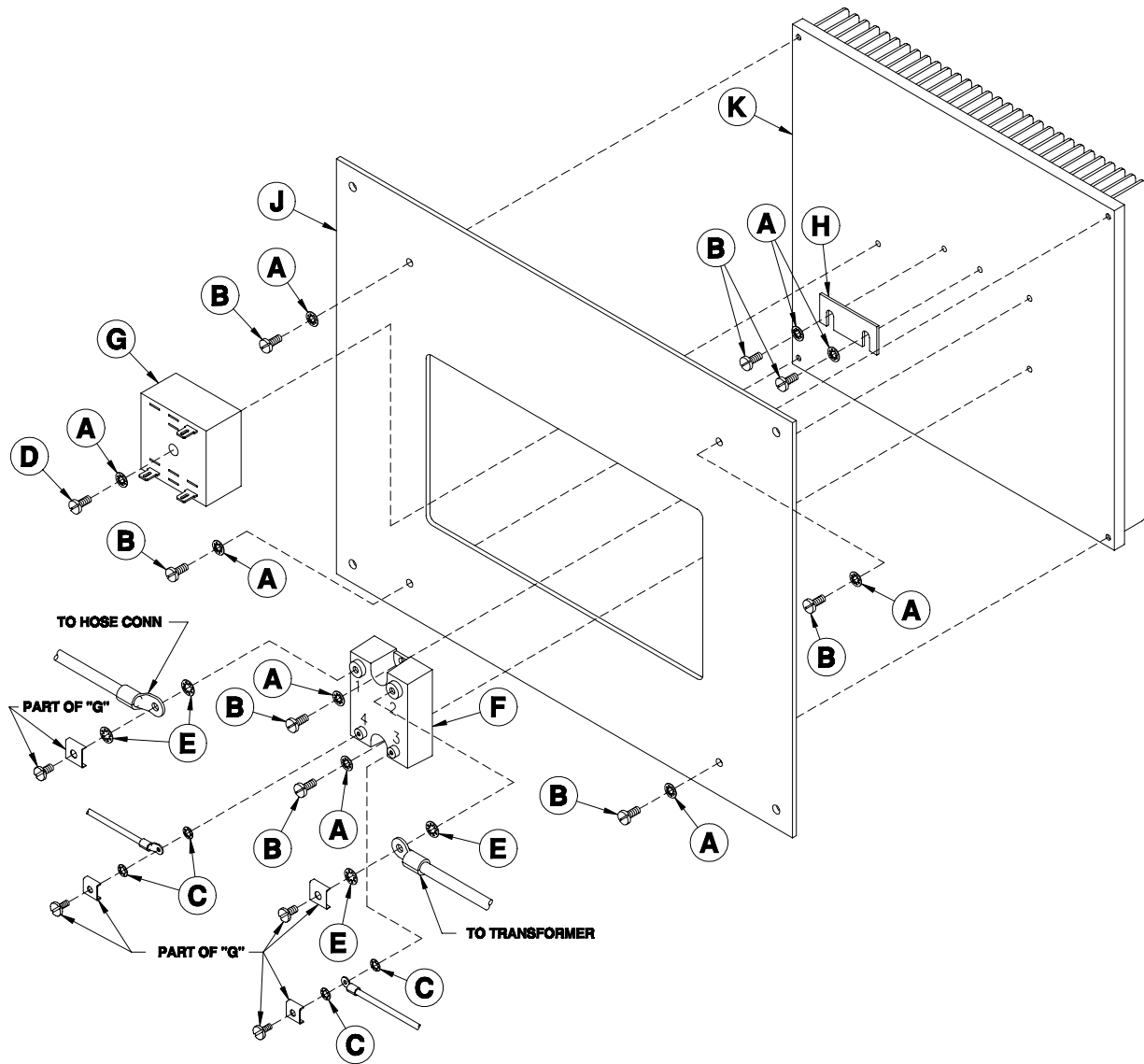


Figure 9. H-2000 (IH) Assembly, (Part No. 15000A-SIZE-IH), Exploded View, Sheet 3 of 5

TABLE 9. H-2000 (IH) ASSEMBLY, (PART NO. 15000A-SIZE-IH), PARTS LIST, SHEET 3 OF 5

Reference Letter	Part Number	Description	Quantity
A	1404A	Button Head Cap Screw	3
B	1701-15-8	Lockwasher	2
C	1701-15-9	Hex Nut	2
D	4805-5	Flat Washer	2
E	11650-2	10" Lid Support	1
F	11650-3	Lock Nut	1

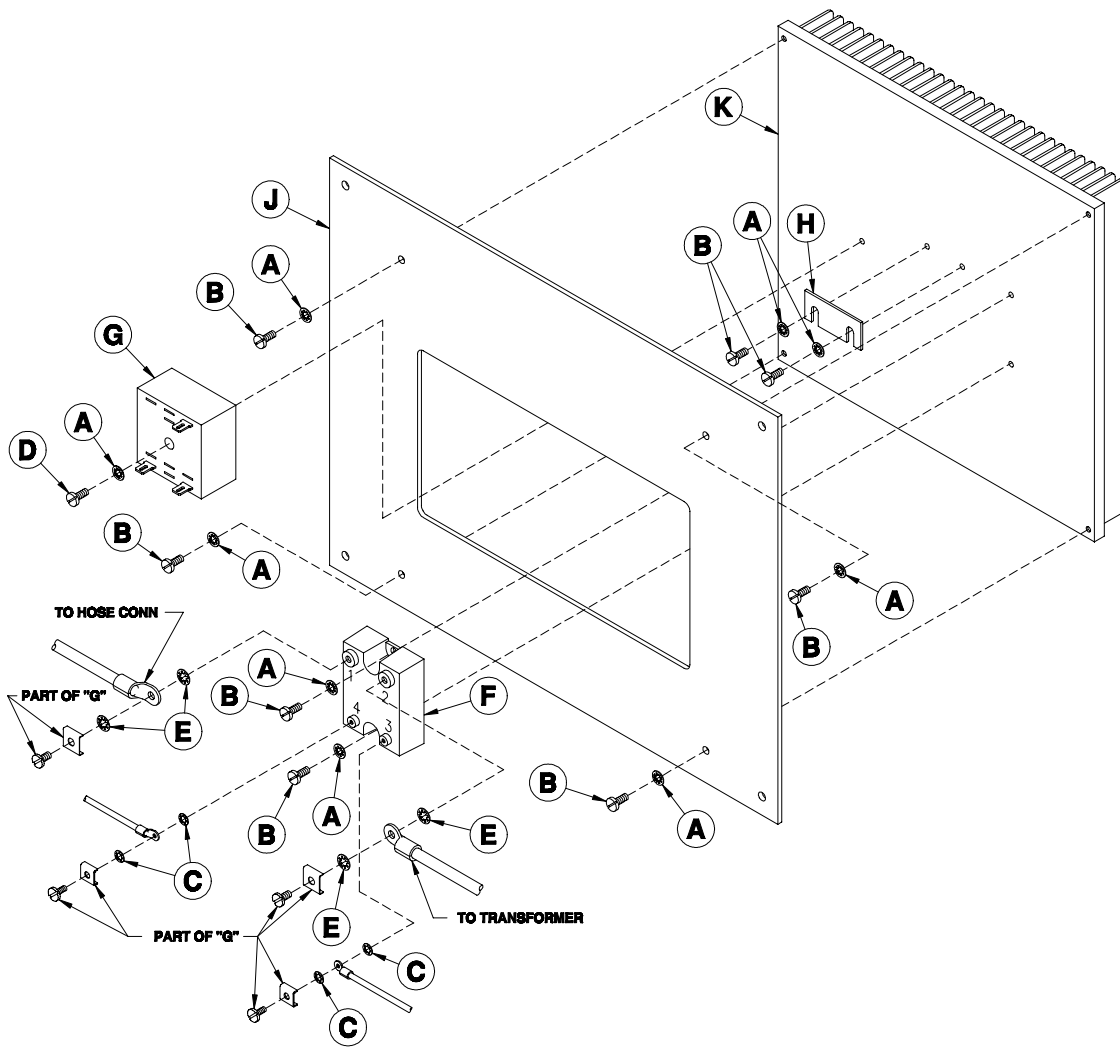


Figure 10. H-2000 (IH) Assembly, (Part No. 15000A-SIZE-IH), Exploded View, Sheet 4 of 5

TABLE 10. H-2000 (IH) ASSEMBLY, (PART NO. 15000A-SIZE-IH), PARTS LIST, SHEET 4 OF 5

Reference Letter	Part Number	Description	Quantity
A	0651A-10	Lockwasher	9
B	0651A-8	Pan Head Machine Screw	8
C	1601-3	Internal Lockwasher	4
D	2015	Socket Head Cap Screw	1
E	4702-7-4	Internal Lockwasher	4
F	6690-1-7	Power Cube 80 AMP	1
G	6690-26-18	Phase Control	1
H	14667	Terminal Jumper	1
J	15501-21-1	Door Frame	1
K	15501-21-2	Heat Sink	1
Not Shown	15300-34	Heat Sink Compound	A/R

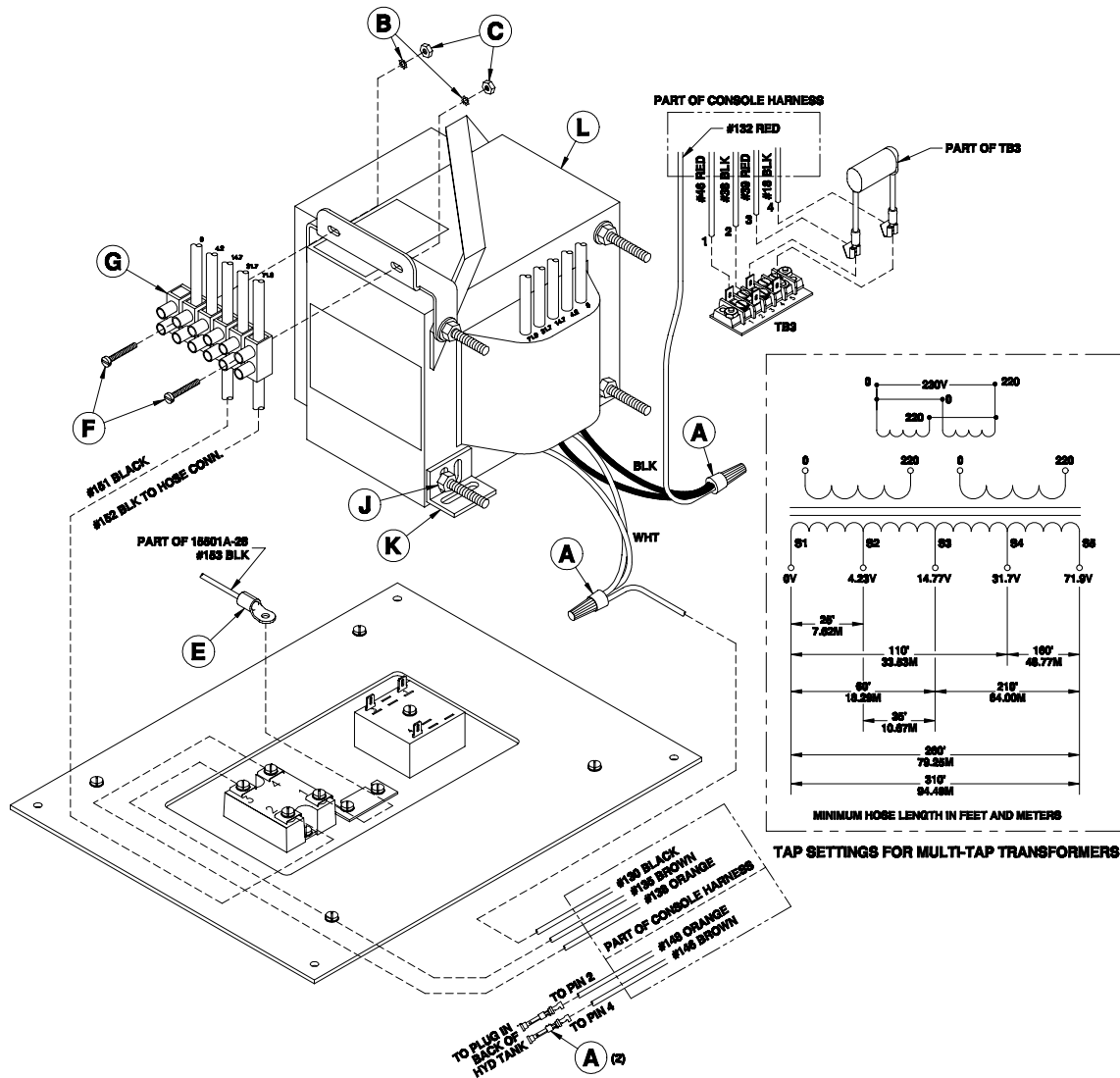


Figure 11. H-2000 (IH) Assembly, (Part No. 15000A-SIZE-IH), Exploded View, Sheet 5 of 5

TABLE 11. H-2000 (IH) ASSEMBLY, (PART NO. 15000A-SIZE-IH), PARTS LIST, SHEET 5 OF 5

Reference Letter	Part Number	Description	Quantity
A	0363A	Insulating Wire Nut	A/R
B	651A-10	Lockwasher	2
C	651A-9	Hex Nut	2
E	1650-19	Stud Ring	1
F	60302	Round Head Machine Screws	2
G	6690-20-5-6	Terminal Block	1
J	1645-3	Hex Locknut	1
K	5615A-2	Transformer Bracket	1
L	15276	Transformer Assy (Includes B, C, F, G, J, K)	1

## ELECTRIC CONSOLE (IH)

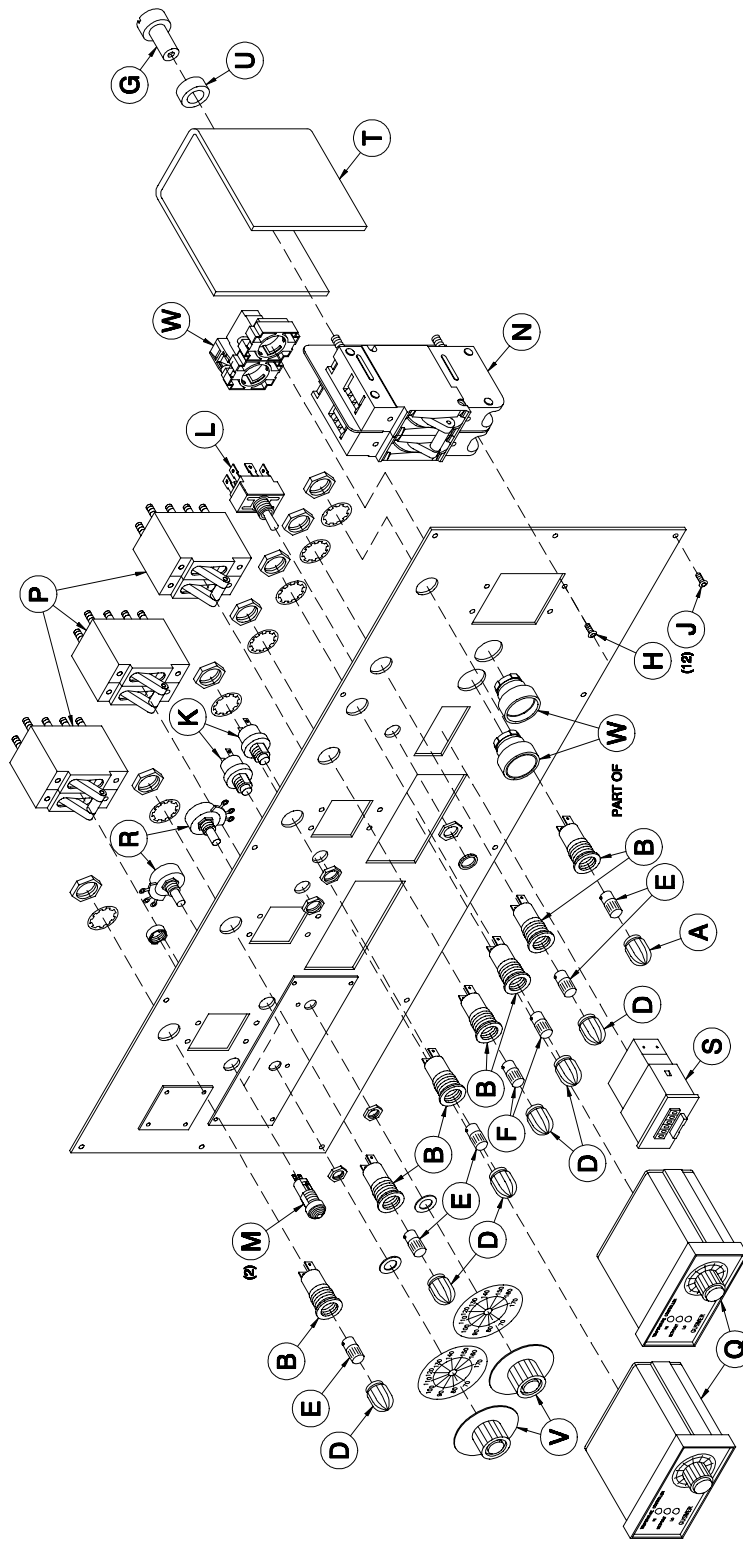


Figure 12. Electric Console, (IH), Exploded View, Sheet 1 of 2



TABLE 12. ELECTRIC CONSOLE, (IH), PARTS LIST, SHEET 1 OF 2

Reference Letter	Part Number	Description	Quantity
A	0656	White Lens	1
B	6690-19-25	Light Base	7
D	0660	Amber Lens	6
E	6690-19-24	Bulb	5
F	0662A	Incandescent Bulb	2
G	5657B	CB Shield Fastener	1
H	6113-10	Button Head Cap Screw (1 Phase ONLY)	16
	6113-10	Button Head Cap Screw (3 Phase ONLY)	18
J	6113-8	Button Head Cap Screw	12
K	6651-9	Pushbutton Switch	2
L	6690-16-6	Toggle Switch	1
M	6690-19-10-2	Green Lamp	2
N	6690-25-3	110 AMP Circuit Breaker (1 Phase ONLY)	1
	5601A-1	70 Amp Circuit Breaker (3 Phase ONLY)	1
P	6690-25-4	Circuit Breaker	3
Q	6690-26-9	Temperature Controller	2
R	6690-26-10	Potentiometer (Includes Item "AC" in Table 13) (Controller)	2
S	9651-6-2	Counter	1
T	15662	Shield (1 Phase ONLY)	1
	5656B	Shield (3 Phase ONLY)	1
U	15663	Spacer (1 Phase ONLY)	1
V	17650-4	Knob	2
W	50602-1	Pushbutton Switch 10A	1

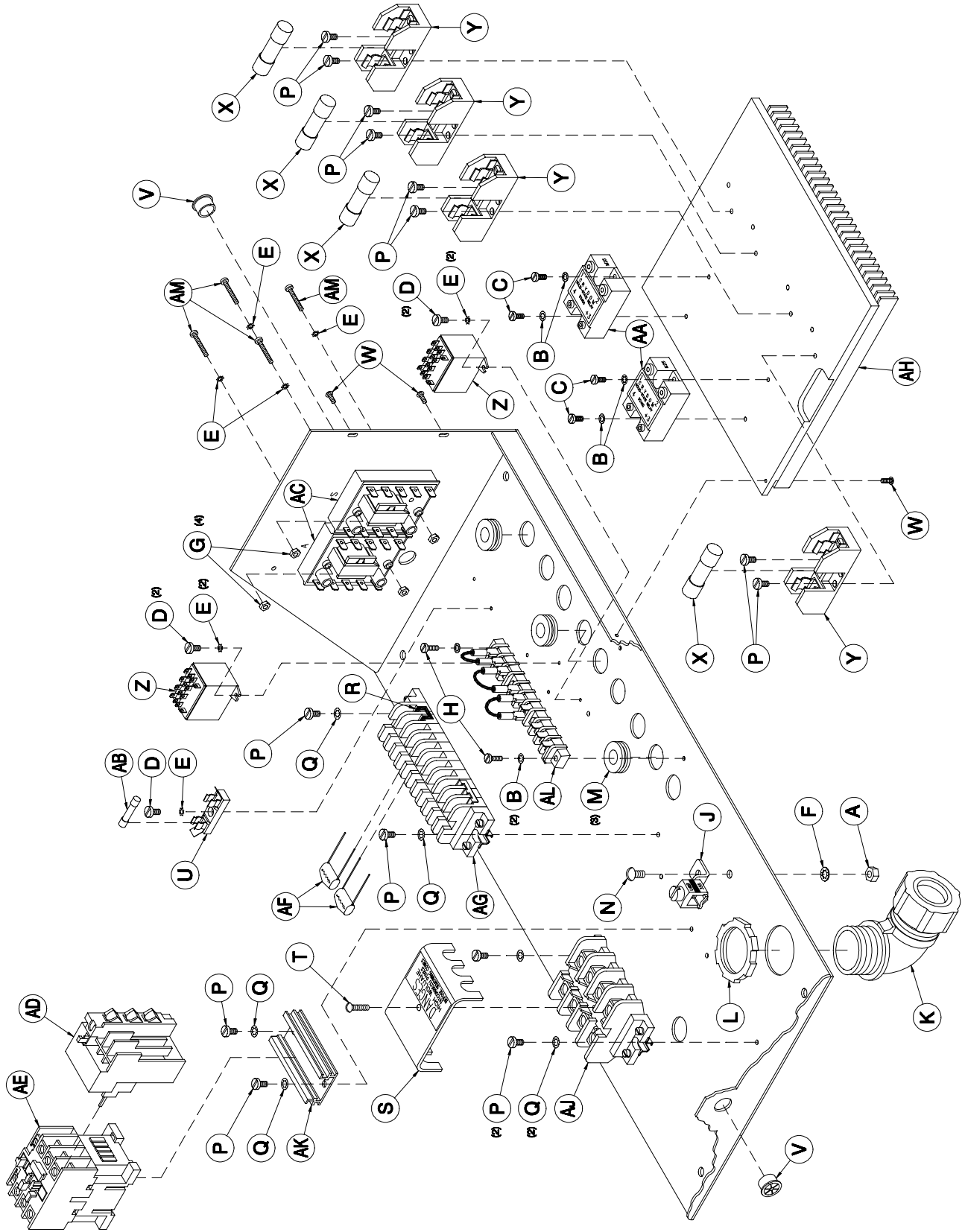


Figure 13. Electric Console, (IH), Exploded View, Sheet 2 of 2

TABLE 13. ELECTRIC CONSOLE, (IH), PARTS LIST, SHEET 2 OF 2

Reference Letter	Part Number	Description	Quantity
A	0385-4	Hex Nut	1
B	0651A-10	Lockwasher	6
C	0651A-8	Pan Head Machine Screw	4
D	0655-2	Pan Head Machine Screw	5
E	0655-4	Lockwasher	9
F	0665-4	Lockwasher	1
G	0668-3	Hex Nut	4
H	0689-2	Pan Head Machine Screw	2
J	1645-1	Terminal Lug	1
K	1646-1	Conduit Elbow	1
L	1646-2	Locknut	1
M	1701-16	Grommet	3
N	4605-10	Round Head Machine Screw	1
P	4605-3	Pan Head Machine Screw	14
Q	4702-7-4	Internal Lockwasher	6
R	5612-4	Terminal Block Jumper	1
S	5612B-2	Terminal Guard	1
T	5612B-3	Nylon Screw	1
U	5653B	Fuse Holder	1
V	5703D-10	Bushing	2
W	6113-10	Button Head Cap Screw	3
X	6651-5	30 AMP Fuse	4
Y	6651-6	30 AMP Fuse Block	4
Z	6690-1-14	Relay	2
AA	6690-1-5	Power Cube 50 AMP	2
AB	6690-24-3	8 AMP Fuse	1
AC	6690-26-10	Controller (Includes Item "R" in Table 12) (Potentiometer)	2
AD	6690-27-10	Overload Relay 32A (1 X 220V)	1
	6690-27-8	Overload Relay (3X220 V)	1
	6690-27-11	Overload Relay (3x380 V)	1
AE	6690-27-7	Power Contactor 50/60 HZ	1
AF	6690-21-1	Quencharc	2
AG	15651	Main Terminal Block Assy	1
AH	15652	Heat Sink	1
AJ	15655	Main Power Term Block Assy	1
AK	15656	Mounting Track	1
AL	15661	Auxiliary Terminal Block	1
AM	OP482-6-2	Pan Head Machine Screw	4

# CENTER AND BASE ASSEMBLY

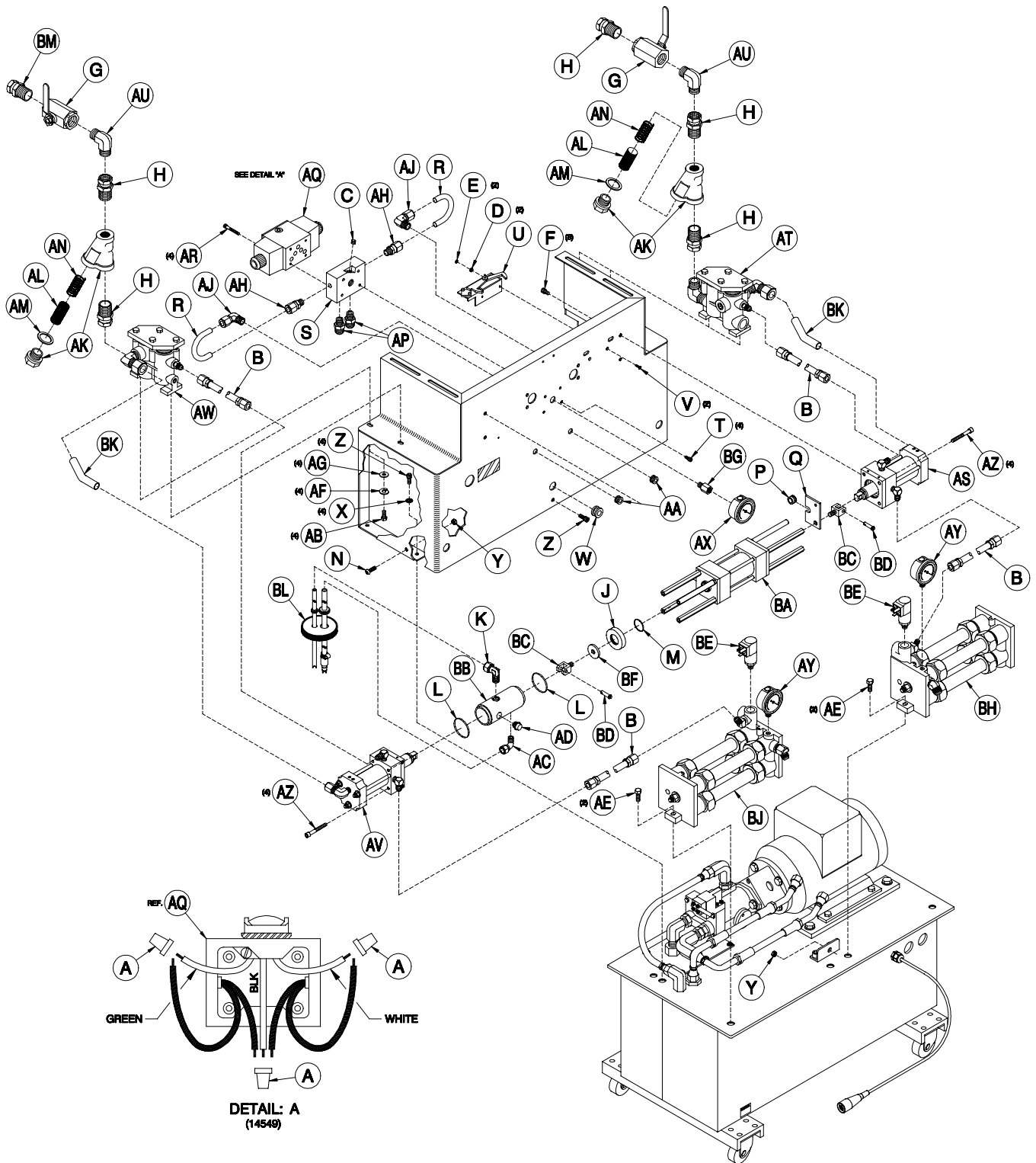


Figure 14. Center and Base Assembly, (Part No. 15500A-SIZE), Exploded View

TABLE 14. CENTER AND BASE ASSEMBLY, (PART NO. 15500A-SIZE), PARTS LIST

Reference Letter	Part Number	Description	Quantity
A	0296	Wire Nut	3
B	0372	Interconnecting Hose	4
C	0576	Pipe Plug	1
D	0651A-10	Lockwasher	2
E	0651A-9	Hex Nut	2
F	1315A	Socket Head Cap Screw	8
G	1433A-1	Ball Valve	2
H	1433A-3	Swivel Union	5
J	1484-2	Lube Cyl Adapter Plate	1
K	1484-3	Male Elbow	1
L	1484-5	O-Ring	2
M	1484-6	O-Ring	1
N	1486A-3	Button Head Cap Screw	1
P	1501-7-2	Bronze Bushing	1
Q	1501A-7-1	Activator Plate	1
R	1503	Connection Tube (Includes AH & AJ)	2
S	1504-1	Direct Valve Manifold	1
T	1504A-4	Socket Head Cap Screw (NYLOC)	4
U	1521	Reversing Switch Assy	1
V	1521-1-2	Flat Head Cap Screw	2
W	1701-16	Grommet	1
X	1701-5	Internal Lockwasher	4
Y	1701-6A	Locknut	2
Z	1701-9	Socket Head Cap Screw	5
AA	1702-11	Grommet	2
AB	5428-8-2	Hex Head Cap Screw	4
AC	5484-3	Lube Hose Fitting	1
AD	5484A-4	Polyethylene Pipe Plug	1
AE	5494	Hex Head Cap Screw	4
AF	5504-3	Helical Lockwasher	4
AG	5829-7	Flat Washer	4
AH	6306-26	Tube Nipple	2
AJ	6306-27	Tube Elbow	2
AK	6312-30	Strainer (Includes AL, AM, AN)	2
AL	6312-30-1	30 Mesh Strainer Screen (Includes AN)	2
	6312-30-3	80 Mesh Strainer Screen ( <b>Optional</b> ) (Includes AN)	2
AM	6312-30-2	Gasket	2
AN	6312-30-4	Spring	1
AP	14534	Hose Nipple	2
AQ	14549	Directional Valve	1
AR	14553	Socket Cap Screw-NYLOC	4
AS	15400-SIZE	Resin Prop Pump Assembly	1
AT	15428	Resin Pump Base Assy	1
AU	15428-5	Male Elbow	2



Reference Letter	Part Number	Description	Quantity
<b>AV</b>	15450-SIZE	Iso Prop Pump Assembly	1
<b>AW</b>	15478	Iso Pump Base Assy	1
<b>AX</b>	15502	0-2000 Gauge	1
<b>AY</b>	15503	0-3000 Gauge	2
<b>AZ</b>	15504	Socket Head Cap Screw	8
<b>BA</b>	15511	Hyd Cylinder W/Spacers	1
<b>BB</b>	15513	Iso Lube Cylinder	1
<b>BC</b>	15514	Hyd Cylinder Clevis	2
<b>BD</b>	15515	Clevis Pin Assembly	2
<b>BE</b>	15516-2200	Pressure Switch	2
<b>BF</b>	15517	Baffle	1
<b>BG</b>	15521	Bushing	1
<b>BH</b>	15310B	R-Basic Preheater	1
<b>BJ</b>	15360B	A-Basic Preheater	1
<b>BK</b>	15518	Inlet Tube	2
<b>BL</b>	15585	Lube Reservoir Hose Assy	1
<b>BM</b>	OP156-33	Swivel Union	1
<b>Not Shown</b>	14549-1	Directional Valve Coil	1

**BASE ASSEMBLY**

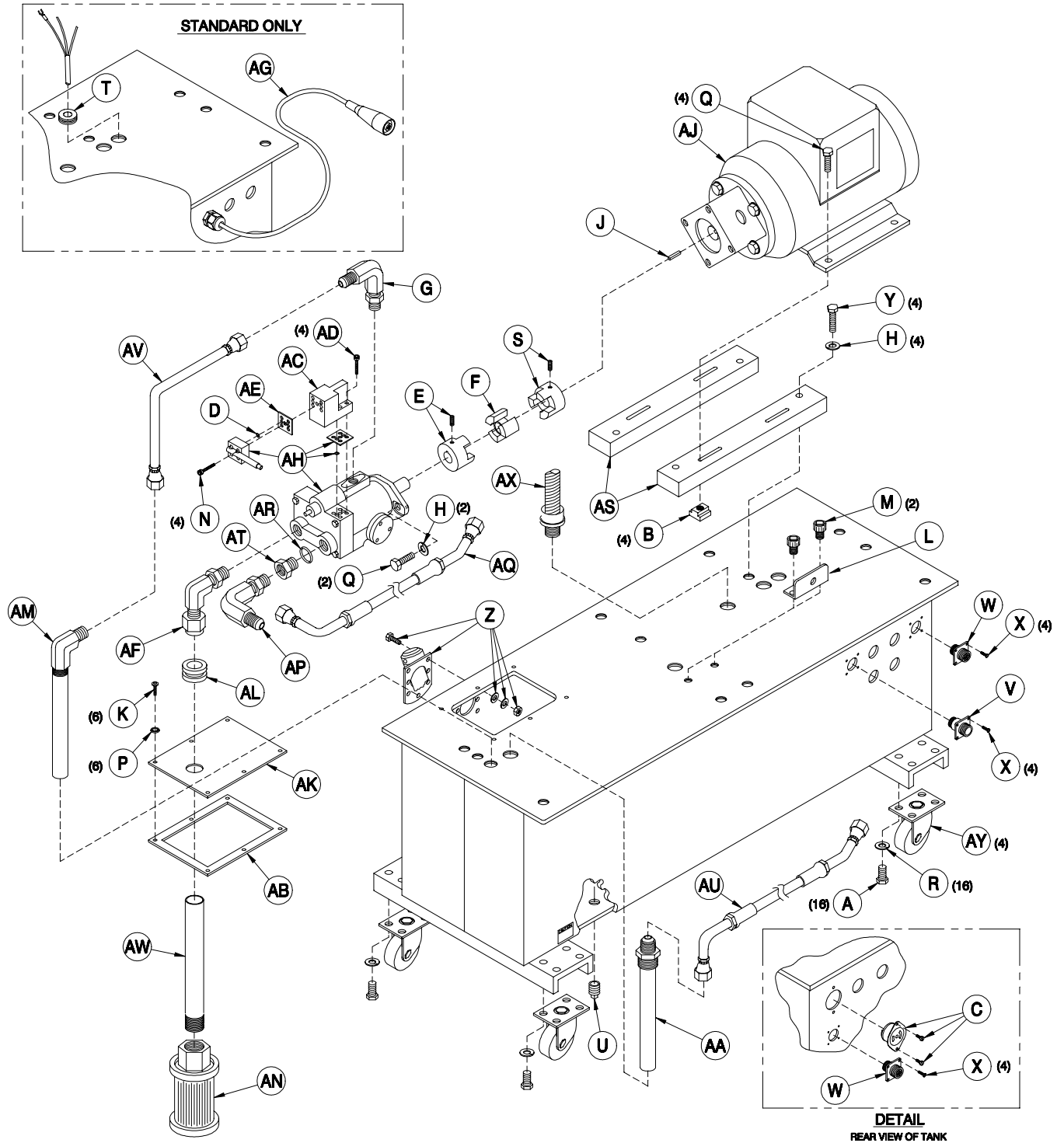


Figure 15. Base Assembly, (Standard & Individual Heat), (IH ASSY SHOWN), Exploded View



TABLE 15. BASE ASSEMBLY, (STANDARD &amp; INDIVIDUAL HEAT), PARTS LIST

Reference Letter	Part Number	Description	Quantity
A	0203-21	Hex Head Cap Screw	16
B	0213-5	T-Slot Nut	4
C	0670A-1	Socket (IH Machine ONLY)	1
D	1413-40/24	O-Ring	1
E	1513-1	Shaft Coupling	1
F	1513-3	Alignment Spider	1
G	1514-10	Hose Elbow	1
H	1514-3	Lockwasher	6
J	1516-1-1	Shaft Key	1
K	1701-15-7	Binder Head Machine Screw	6
L	1701-8	Mounting Bracket	1
M	1701-9	Socket Head Cap Screw	2
N	1808	Socket Head Cap Screw	4
P	4702-7-4	Internal Lockwasher	16
Q	5494	Hex Head Cap Screw	6
R	5504-3	Lockwasher	16
S	5513-2	Shaft Coupling	1
T	5701-16	1" Grommet	1
U	5701-6	Reservoir Drain Plug	1
V	6690-13-2-11-4	4 CKT MA Pin Housing (IH Machine ONLY)	1
W	6690-13-2-11-41	4 CKT FE Pin Housing (IH Machine ONLY)	2
X	9651-4	Button Head Cap Screw (IH Machine ONLY)	12
Y	14408	Hex Head Cap Screw	4
Z	14501-1	Hydraulic Oil Filler	1
AA	14501-13	Hydraulic Reservoir Return Hose	1
AB	14501-3	Reservoir Cover Plate Gasket	1
AC	14501-31-1	Compensator Manifold	1
AD	14501-31-2	Socket Head Cap Screw	4
AE	14501-31-3	Gasket	1
AF	14502	O-Ring Elbow	1
AG	15207-3	TSU Harness	1
AH	15501-1	Hydraulic Pump Assembly (Includes D,N,AC,AD, & AE)	1
AJ	15501-10	Electric Motor (3 Phase Only) (Includes J)	1
	15501-18	Electric Motor (1 Phase Only) (Includes J)	1
AK	15501-12	Reservoir Cover Plate	1
AL	15501-13	Rubber Grommet	1
AM	15501-14	1/2 TBE 90 Hydraulic Reservoir Return	1
AN	15501-15	Cartridge Strainer	1
AP	15501-17	O-Ring Elbow	1
AQ	15501-19	P-Port Hose	1
AR	15501-22	O-Ring	1
AS	15501-29	Motor Bar	2
AT	15501-3	O-Ring Adapter	1



Reference Letter	Part Number	Description	Quantity
AV	15501-5	Bleed Hose	1
AU	15501-6	T Port Hose	1
AW	15501-8	Suction Tube	1
AX	15501A-20	TSU Harness	1
AY	15701-2	Swivel Castor	4

## TRANSFORMER PLATE ASSEMBLY

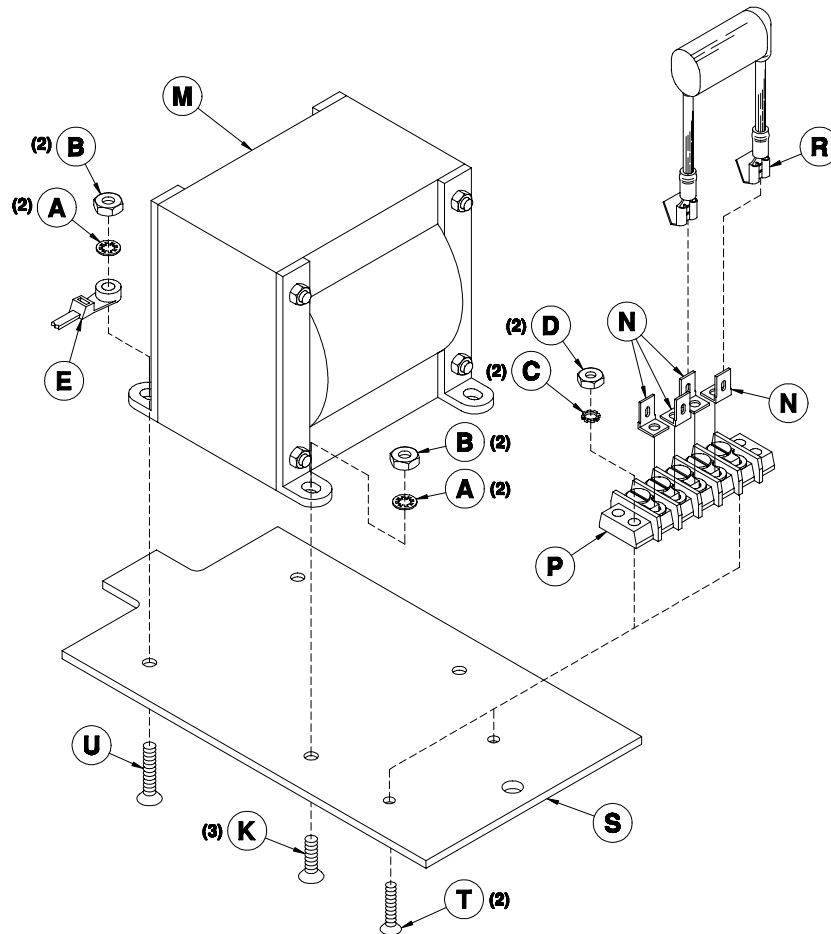
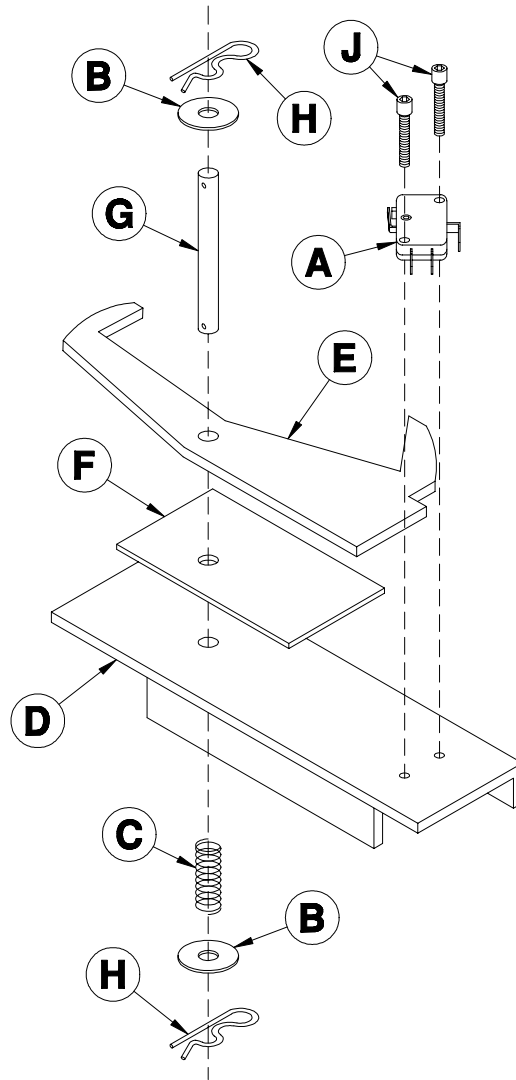


Figure 16. Transformer Plate Assembly, (Part No. 15501-23), Exploded View

TABLE 16. TRANSFORMER PLATE ASSEMBLY, (PART NO. 15501-23), PARTS LIST

Reference Letter	Part Number	Description	Quantity
A	0651A-10	Lockwasher	4
B	0651A-9	Hex Nut	4
C	0655-4	Lockwasher	2
D	0668-3	Hex Nut	2
E	0683-1	Cable Tie	1
K	1521-1-2	Flat Head Cap Screw	3
M	5611-1	Transformer	1
N	6690-20-2-9	Male Tab	4
P	6690-20-4-5	Terminal Block	1
R	6690-21-2	Quencharc W/Lugs	1
S	15501-23-1	Transformer Plate	1
T	15501-23-2	Flat Head Cap Screw	2
U	15501-23-3	Flat Head Cap Screw	1

## REVERSING SWITCH ASSEMBLY



**Figure 17. Reversing Switch Assembly, (Part No. 1521), Exploded View**

**TABLE 17. REVERSING SWITCH ASSEMBLY, (PART NO. 1521), PARTS LIST**

Reference Letter	Part Number	Description	Quantity
A	0578A	Reversing Switch	1
B	0579-4	Flat Washer	2
C	0579-5	Spring	1
D	1521-1-1	Reversing Switch Bracket	1
E	1521-2-1	Rocker Arm	1
F	1521-2-2	Rocker Arm Slide Pad	1
G	1521-2-3	Rocker Arm Pin	1
H	1521-2-6	Hitch Pin	2
J	9577-10	Socket Head Cap Screw	2

## LUBE RESERVOIR HOSE ASSEMBLY

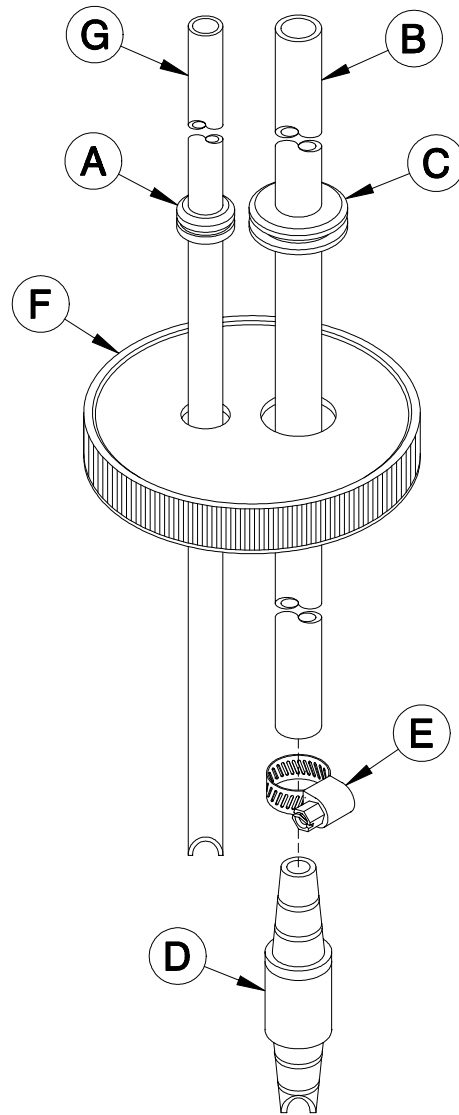


Figure 18. Lube Reservoir Hose Assembly, (Part No. 15585), Exploded View

TABLE 18. LUBE RESERVOIR HOSE ASSEMBLY, (PART No. 15585), PARTS LIST

Reference Letter	Part Number	Description	Quantity
A	1275-1-2	Rubber Grommet	1
B	1485A-7	Supply Line	1
C	1701-16	13/16 OD Grommet	1
D	5485-6	Lube Reservoir Check Valve	1
E	5485-7-2	Hose Clamp	1
F	15585-1	Lube Bottle Cap	1
G	15585-2	Return Line	1

## HYDRAULIC CYLINDER WITH SPACER

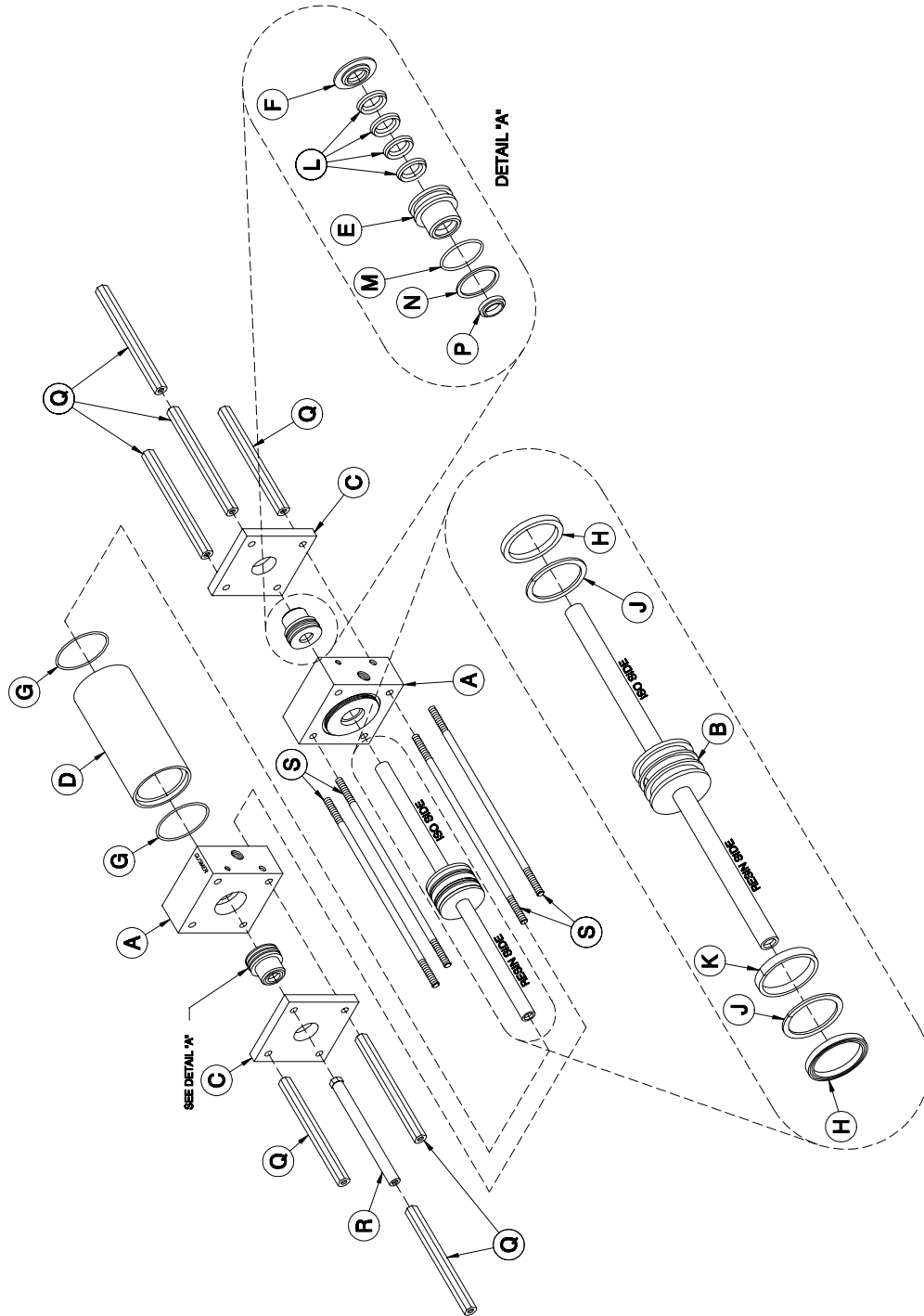


Figure 19. Hydraulic Cylinder with Spacer, (Part No. 15511), Exploded View



TABLE 19. HYDRAULIC CYLINDER WITH SPACER, (PART NO. 15511), PARTS LIST

Reference Letter	Part Number	Description	Quantity
A	1501B-10-1	Port Block	2
B	1501B-10-10	Piston Assembly	1
C	1501B-10-2	Retainer Plate	2
D	1501B-10-4	Cylinder Body	1
E	1501B-10-5	Rod Bushing	2
F	1501B-10-6	Shaft Seal Expander	2
G	1501B-11-1	O-Ring	2
H	1501B-11-2	U-Cup	2
J	1501B-11-3	Back-Up Ring	2
K	1501B-11-4	Teflon Glass Wear Ring	1
L	1501B-11-5	V-Ring	8
M	1501B-11-6	O-Ring	2
N	1501B-11-7	Back-Up Ring	2
P	1501B-11-8	Rod Wiper	2
Q	15511-1	Prop. Pump Spacer	7
R	15511-2	Reversing Switch Pump Spacer	1
S	15511-3	Hyd. Cylinder Tie Rod	4
<b>Rebuild Kits</b>			
*	1550-G	Cylinder Rebuild – Gusmer (Includes E, F, G, H J, K L M N & P)	
*	15992	Hydraulic Cylinder Seal Set (Includes L, M, & P)	

\* Order as required from your local distributor.

## PROPORTIONING PUMP ASSEMBLY

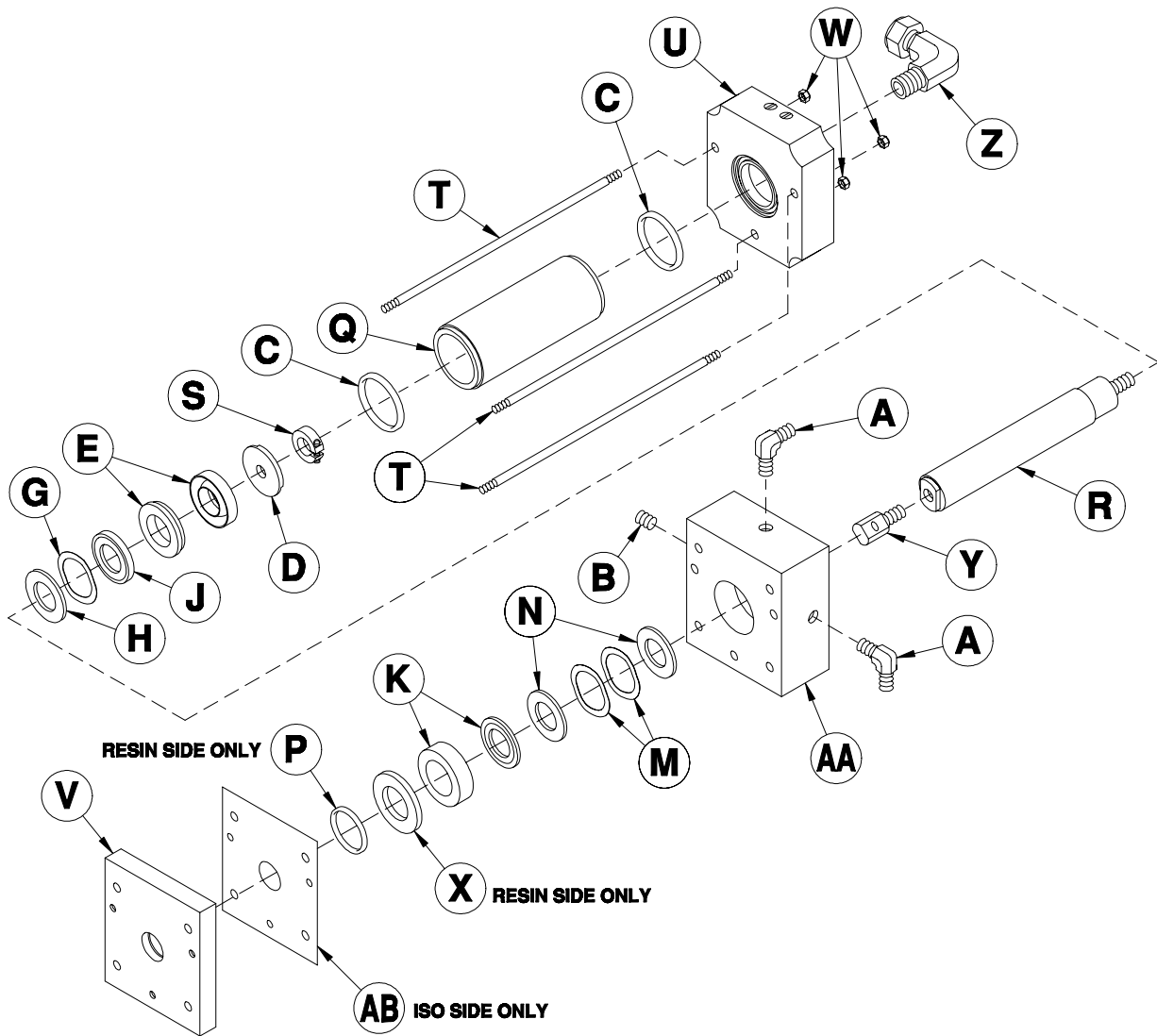


Figure 20. Proportioning Pump Assembly, (Part No. 15400-SIZE and 15450-SIZE), Exploded View

TABLE 20. PROPORTIONING PUMP ASSEMBLY, (PART NO. 15400-SIZE AND 15450-SIZE), PARTS

Reference Letter	Part Number	Description	Quantity
A	0373	Male Elbow	2
B	0576	Pipe Plug	1
C	1402	O-Ring	2
* D	See Schedule	Packing Retainer Washer	1
* E	See Schedule	Packing Set	1
G	See Schedule	Wave Spring	**
* H	See Schedule	Spring Retainer Washer	1
* J	See Schedule	Packing Support Washer	1
* K	See Schedule	Packing Set	1
* M	See Schedule	Wave Spring	**
* N	See Schedule	Packing Support Washer	2
* P	See Schedule	O-Ring 1 (Resin only)	1
* Q	See Schedule	Pump Cylinder	1
* R	See Schedule	Piston Rod	1
* S	See Schedule	Shaft Collar	1
T	15427	Pump Tie Rod	3
U	15435-120	Inlet Flange	1
* V	See Schedule See Schedule	R-Packing Retainer Flange A-Packing Retainer Flange	1 1
W	15438	Flange Nut	3
* X	See Schedule	Piston RD Wiper CVR PLT (Resin only)	1
* Y	See Schedule	Clevis Link	1
Z	15441	Tube Elbow	1
* AA	See Schedule See Schedule	R-Outlet Flange (Includes B) A-Outlet Flange (Includes B)	1 1
AB	15444-3	Gasket (ISO only)	1

\* See Table 21 Schedule of Parts for Pump Sizes 24, 30, 44 & 48, and  
Table 22 Schedule of Parts for Pump Sizes 80, 88, 104 & 112 listed on next pages.

\*\* See Table 23. Schedule of Quantities listed on next pages.

**TABLE 21. SCHEDULE OF PARTS, (PUMP SIZES 24, 30, 44, AND 48)**

Reference Letter	Pump Size			
	24 (ISO only)	30	44	48
D	15412-24	15412-30	15412-44	15412-48
E	1415/1416-24	1415/1416-30	1415/1416-44	1415/1416-48
G	1417-24	1417-30	1417-40/44	1417-48
H	1418-24	1418-30	1418-44	1418-48
J	1419-24	1419-30	1419-44	1419-48
K	1423/1424-24	1423/1424-30	1423/1424-44	1423/1424-48
M	1417-60	1417-60	1425-48/44	1425-48/44
N	1426-24	1426-30	1426-44	1426-48
P (Resin only)		15402	15406	15406
Q	15401-24	15401-30	15401-44	15401-48
R	15411-24	15411-30	15411-44	15411-48
S	15411-5/16	15411-5/16	15411-3/8	15411-3/8
V		15437-30	15437-44	15437-48
	15487-24	15487-30	15487-44	15487-48
X (Resin only)		15439-30	15439-44	15439-48
Y	15440-40	15440-40	15440-40	15440-40
AA		15436-30	15436-44	15436-48
	15486-24	15486-30	15486-44	15486-48

**TABLE 22. SCHEDULE OF PARTS, (PUMP SIZES 80, 88, 104, AND 112)**

Reference Letter	Pump Size			
	80	88	104	112
D	15412-80	15412-88	15412-104	15412-112
E	1415/1416-80	1423/1424-60	1415/1416-104	1415/1416-112
G	1417-104/80	1417-104/80	1417-104/80	1417-120/112
H	1418-80	1418-88	1418-104	1418-112
J	1419-80	1419-88	1419-104	1419-112
K	1423/1424-80	1415/1416-112	1423/1424-104	1423/1424-112
M	1425-104	1425-104	1425-104	1425-120
N	1426-80	1426-88	1426-104	1426-112
P (Resin only)	4401-2-18-2	4401-2-18-2	5436-110	1436-120
Q	15401-80	15401-88	15401-104	15401-112
R	15411-80	15411-88	15411-104	15411-112
S	15411-1/2	15411-1/2	15411-1/2	15411-1/2
V	15437-80	15437-88	15437-104	15437-112
	15487-80	15487-88	15487-104	15487-112
X (Resin only)	15439-80	15439-88	15439-104	15439-112
Y	15829-10	15829-10	15829-10	15829-10
AA	15436-80	15436-88	15436-104	15436-112
	15486-80	15486-88	15486-104	15486-112

TABLE 23. SCHEDULE OF QUANTITIES

Reference Letter	(ISO only)	30	44	48	80	88	104	112
G	2	2	2	1	1	1	2	2
M	2	2	1	1	1	1	1	1

TABLE 24. RESISTANCE OF PRIMARY HEATER HEATING ELEMENTS

Number of Operational Elements	Resistance in Ohms ( $\Omega$ )	
	5000 Watt Heater	6000 Watt Heater
4	12	8
3	16	11
2	24	16
1	48	32

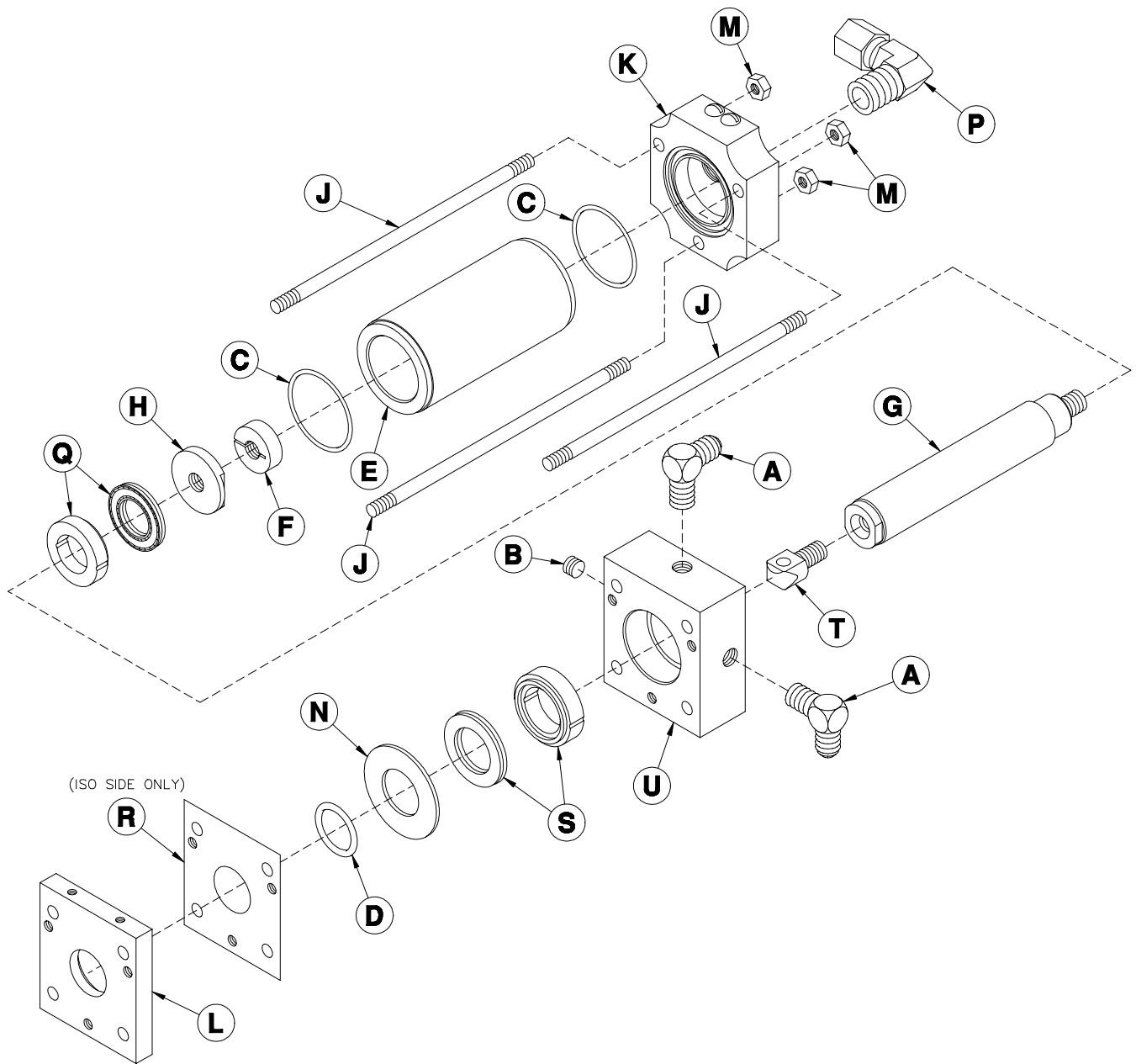
TABLE 25. PUMP CYCLE COUNTER CHART, (CYCLE TO PROPORTIONING PUMP RATIO RELATIONSHIP)

Pump Ratio*	Number of Cycles Required to Dispense Approximately	
	1 lb. (.5 kg.) of Mixed Material **	1 Gal. (3.8 l) of Mixed Material
50 - 50	1.6 cycles	16 cycles
52 - 48	1.7 cycles	16 1/2 cycles
53.5 - 46.5	1.7 cycles	17 cycle
55.5 - 44.5	1.8 cycles	18 cycles
57.5 - 42.5	1.9 cycles	18 1/2 cycles
60 - 40	1.9 cycles	19 1/2 cycles
66.7 - 33.3	2.2 cycles	21 1/2 cycles
71 - 29	2.3 cycles	23 cycles
73.2 - 26.8	2.4 cycles	23 1/2 cycles
75 - 25	2.4 cycles	24 cycles
80 - 20	2.6 cycles	26 cycles
83.3 - 16.7	2.7 cycles	27 cycles

TABLE 26. PROPORTIONING PUMP RATIO SPECIFICATIONS

Pump Size	Cross-Sectional Area		Ratio with #120
	Sq. Inches	mm	
120	1.20	774.2	50 - 50
112	1.12	722.6	52 - 48
104	1.04	671.0	53.5 - 46.5
96	.96	619.3	55.5 - 44.5
88	.88	567.7	57.5 - 42.5
80	.80	516.1	60 - 40
60	.60	387.1	66.7 - 33.3
48	.48	309.7	71 - 29
44	.44	283.9	73.2 - 26.8
40	.40	258.1	75 - 25
30	.30	193.6	80 - 20
24	.24	154.9	83.3 - 16.7

**# 60 AND 96 SIZE PUMPS**



**Figure 21. # 60 and 96 Size Pump, (Part No. 15400-Size and 15450-Size), Exploded View**

TABLE 27. # 60 AND 96 SIZE PUMPS, (PART NO. 15400-SIZE AND 15450-SIZE), PARTS

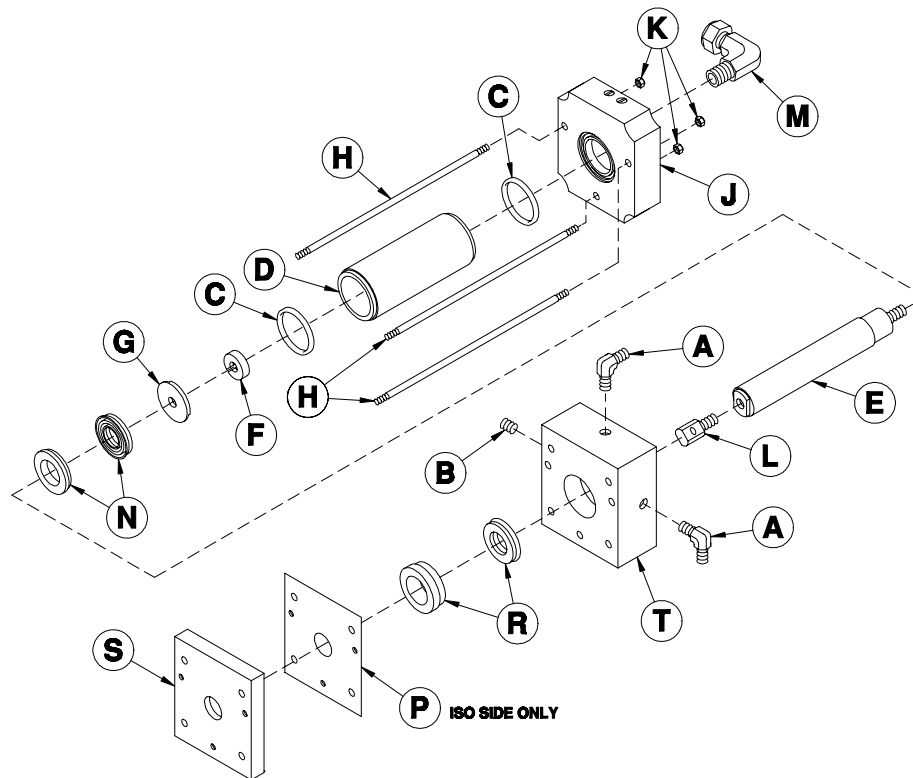
Reference Letter	Part Number	Description	Quantity
A	0373	Male Elbow	2
B	0576	Pipe Plug	1
C	1402	O-Ring	2
* D	See Schedule	O-Ring (RESIN only)	1
* E	See Schedule	Pump Cylinder	1
* F	See Schedule	Shaft Collar	1
* G	See Schedule	Piston Rod	1
* H	See Schedule	Packing Retainer Washer	1
J	15427	Pump Tie Rod	3
K	15435-120	Inlet Flange	1
* L	See Schedule See Schedule	R-Packing Retainer Flange A-Packing Retainer Flange	1 1
M	15438	Flange Nut	3
* N	See Schedule	Piston Rod Wiper Cover Plate (RESIN only)	1
P	15441	Tube Elbow	1
* Q	See Schedule	Piston Seal Set	1
R	15444-3	Gasket (ISO only)	1
* S	See Schedule	Cylinder Seal Set (includes R on ISO side)	1
T	15829-10	Pump Clevis	1
* U	See Schedule See Schedule	R-Outlet Pump Flange (includes B) A-Outlet Pump Flange (includes B)	1 1

\* See Table 28. Schedule of Parts (Pump Sizes 60 and 96)

TABLE 28. SCHEDULE OF PARTS (PUMP SIZES 60 AND 96)

Reference Letter	Pump Size	
	60	96
D	15405	5436-100
E	15401-60	15401-96
F	15411-1/2-60	15411-1/2
G	15411-60	15411-96
H	15412-60	15412-96
L	15437-60	15437-96
	15487-60	15487-96
N	15439-60	15439-96
Q	15443-60	15443-96
S	15444-60	15444-96
U	15436-60	15436-96
	15486-60	15486-96

**# 120 SIZE PUMP**



**Figure 22. #120 Size Pump, (Part No. 15400-120 and 15450-120), Exploded View**

**TABLE 29. #120 SIZE PUMP, (PART NO. 15400-120 AND 15450-120), PARTS**

Reference Letter	Part Number	Description	Quantity
A	0373	Male Elbow	2
B	0576	Pipe Plug	1
C	1402	O-Ring	2
D	15401-120	Pump Cylinder	1
E	15411-120	Piston Rod	1
F	15411-1/2	Shaft Collar	1
G	15412-120	Packing Retainer Washer	1
H	15427	Pump Tie Rod	3
J	15435-120	Inlet Flange	1
K	15438	Flange Nut	31
L	15829-10	Pump Clevis	1
M	15441	Tube Elbow	1
N	15443-120	Piston Seal Set	1
P	15444-3	Gasket (ISO only)	1
R	15445-120	R-Cylinder Seal Set	1
	15446-120	A-Cylinder Seal Set (includes P)	1
S	15447-120	R-Packing Retainer Flange	1
	15497-120	A-Packing Retainer Flange	1
T	15436-120	R-Outlet Pump Flange (includes B)	1
	15486-120	A-Outlet Pump Flange (includes B)	1



### # 40 SIZE PUMP

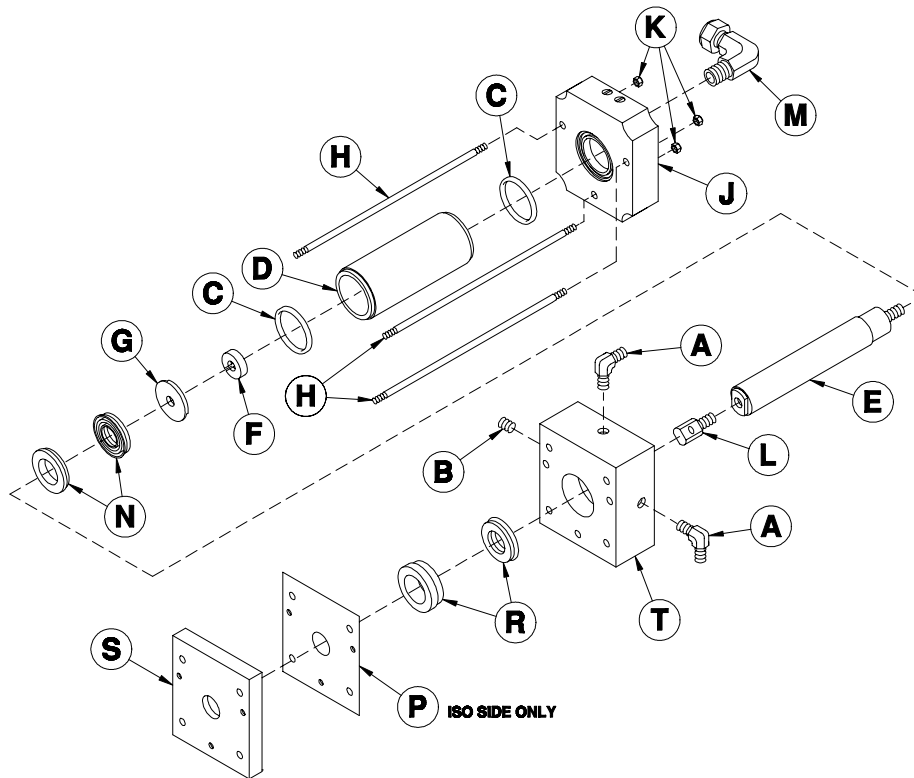


Figure 23. #40 Size Pump, (Part No. 15400-40 and 15450-40), Exploded View

TABLE 30. #40 SIZE PUMP, (PART NO. 15400-40 AND 15450-40), PARTS

Reference Letter	Part Number	Description	Quantity
A	0373	Male Elbow	2
B	0576	Pipe Plug	1
C	1402	O-Ring	2
D	15401-40	Pump Cylinder	1
E	15411-40	Piston Rod	1
F	15411-5/16	Shaft Collar	1
G	15412-40	Packing Retainer Washer	1
H	15427	Pump Tie Rod	3
J	15435-120	Inlet Flange	1
K	15438	Flange Nut	3
L	15840-40	Pump Clevis	1
M	15441	Tube Elbow	1
N	15443-40	Piston Seal Set	1
P	15444-3	Gasket (ISO only)	1
R	15444-40	Cylinder Seal Set (includes P)	1
S	15437-40	R-Packing Retainer Flange	1
	15487-40	A-Packing Retainer Flange	1
T	15436-40	R-Outlet Pump Flange (includes B)	1
	15486-40	A-Outlet Pump Flange (includes B)	1

## PUMP BASE ASSEMBLY

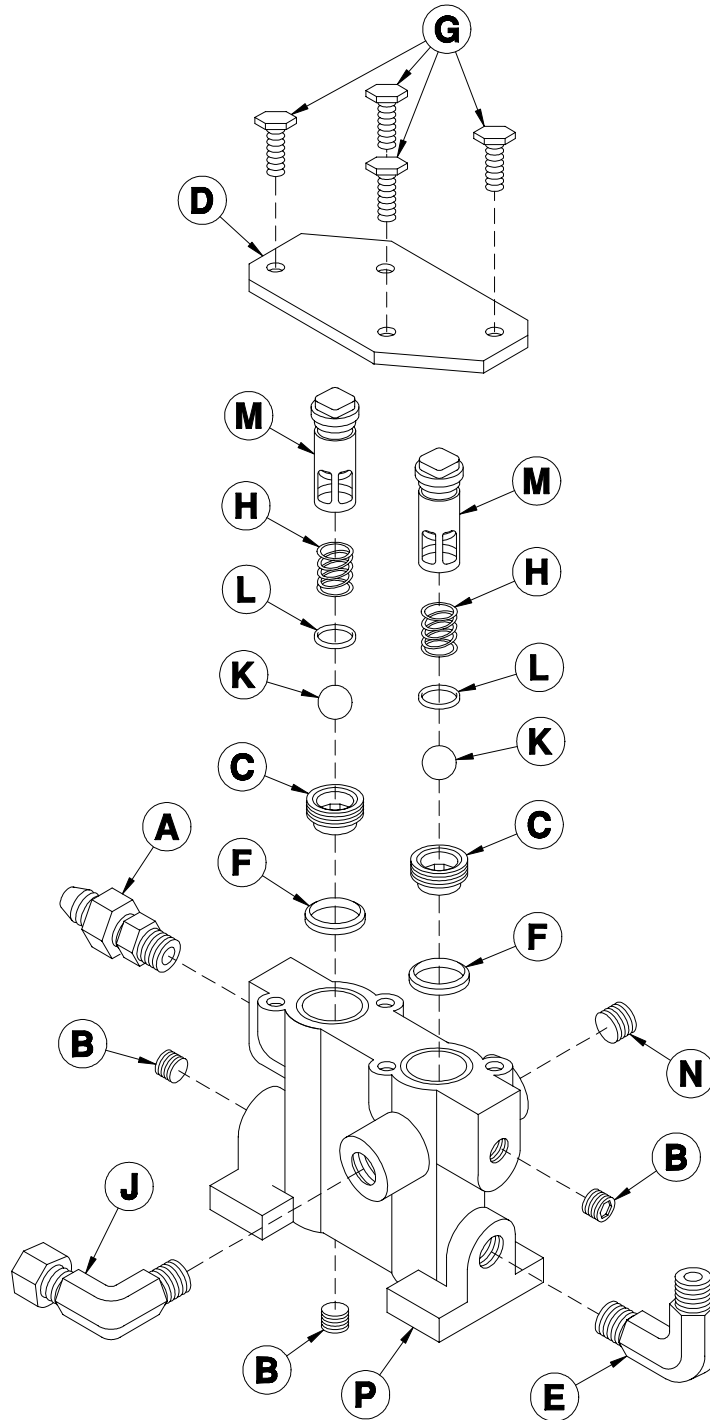


Figure 24. Pump Base Assembly, (Part No. 15428, 15478), Exploded View

TABLE 31. PUMP BASE ASSEMBLY, (PART No. 15428, 15478), PARTS LIST

Reference Letter	Part Number	Description	Quantity
A	0381-2	Nipple	1
B	0576	Pipe Plug	3
C	15428-3	Valve Ball Seat	2
D	15428-4	Valve Cover Bracket	1
E	15428-5	Male Elbow	1
F	15428-7	Seat Seal	2
G	15428-8	Hex Head Cap Screw	4
H	15428-9	Spring	2
J	15441	Tube Elbow	1
K	5428-5	Valve Ball	2
L	5428-6-3	O-Ring	2
M	5428A-7-1	Ball Guide	2
N	6404-1	Pipe Plug	1
P	15428-1	R-Valve Block (includes B & N)	1
	15478-1	A-Valve Block (includes B & N)	1

## PRIMARY HEATER ASSEMBLY

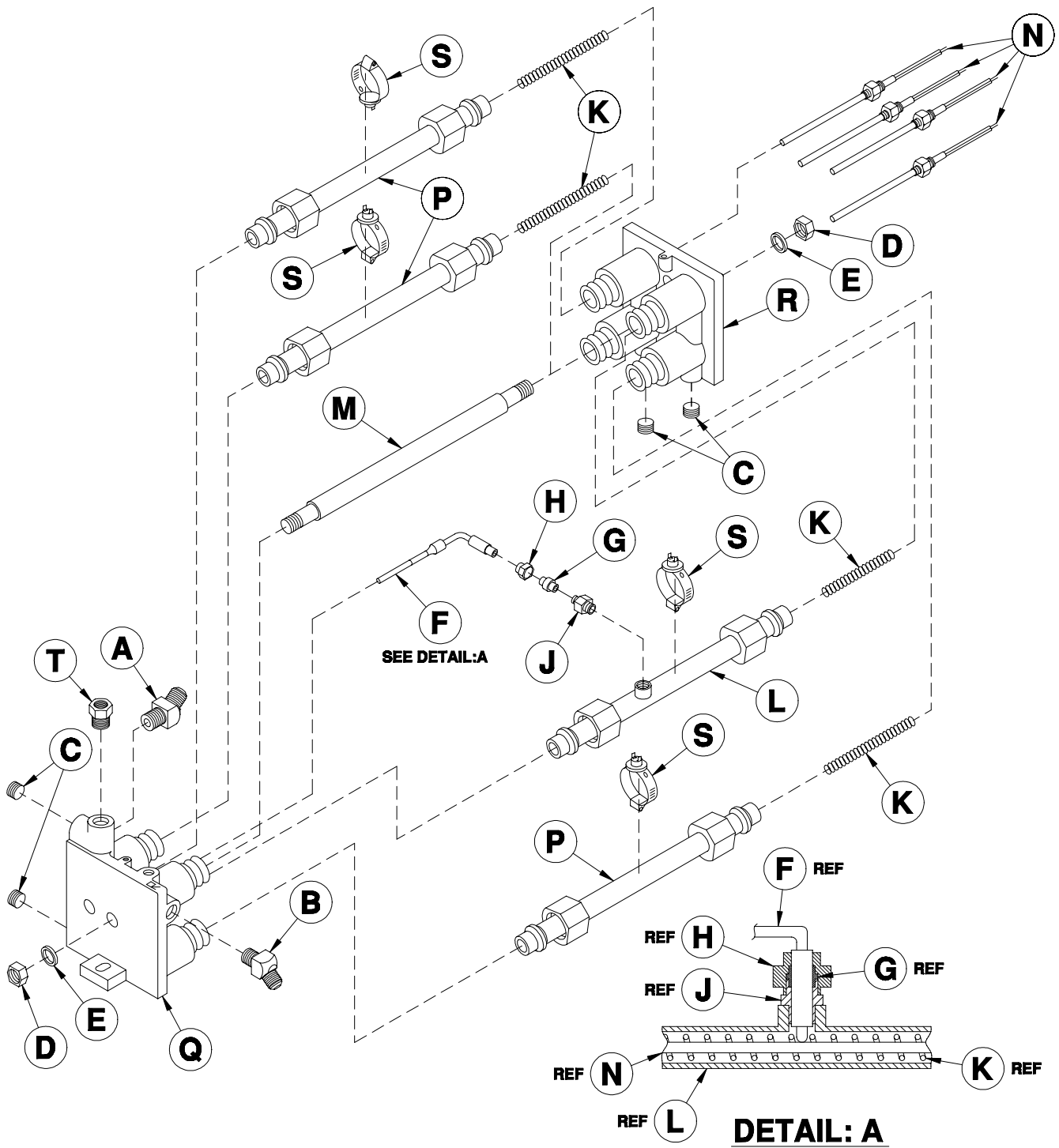


Figure 25. Primary Heater Assembly, (Part No. 15310B, 15360B), Exploded View

TABLE 32. PRIMARY HEATER ASSEMBLY, (PART NO. 15310B, 15360B), PARTS LIST

Reference Letter	Part Number	Description	Quantity
A	0465	Hose Elbow	1
B	5330-4	Hose Elbow (Resin ONLY)	1
	5380-4	Hose Elbow (Iso ONLY)	1
C	6404-1	Pipe Plug	4
D	14300-11	Hex Nut	2
E	14300-12	Flat Washer	2
F	15300A-25	Thermocouple Kit (includes G & H)	1
G	15300-30-1	Ferrule	1
H	15300-30-2	Nut	1
J	15300-30-3	1/4 Tube Body	1
K	15300-39	Spring	4
L	15300-40	Heat Exchanger W/ Boss	1
M	15300-5	Tie Rod	1
N	15300-8	Heating Element 1500W	4
P	15310-1	Heat Exchanger	3
Q	15310-2	R-Preheater Flange	1
	15360-2	A-Preheater Flange	1
R	15310-4	Preheater Flange	1
S	15310-5-1	Thermostat	4
T	OP202-6	Bushing	1
Not Shown	0203-20	Slot Hex Head Screw W/ Washer (To Secure Cover)	1
Not Shown	15311	R-Preheater Cover	1
Not Shown	15361	A-Preheater Cover	1

# AUTO POWER PACK

## AUTOMATIC HOSE HEAT

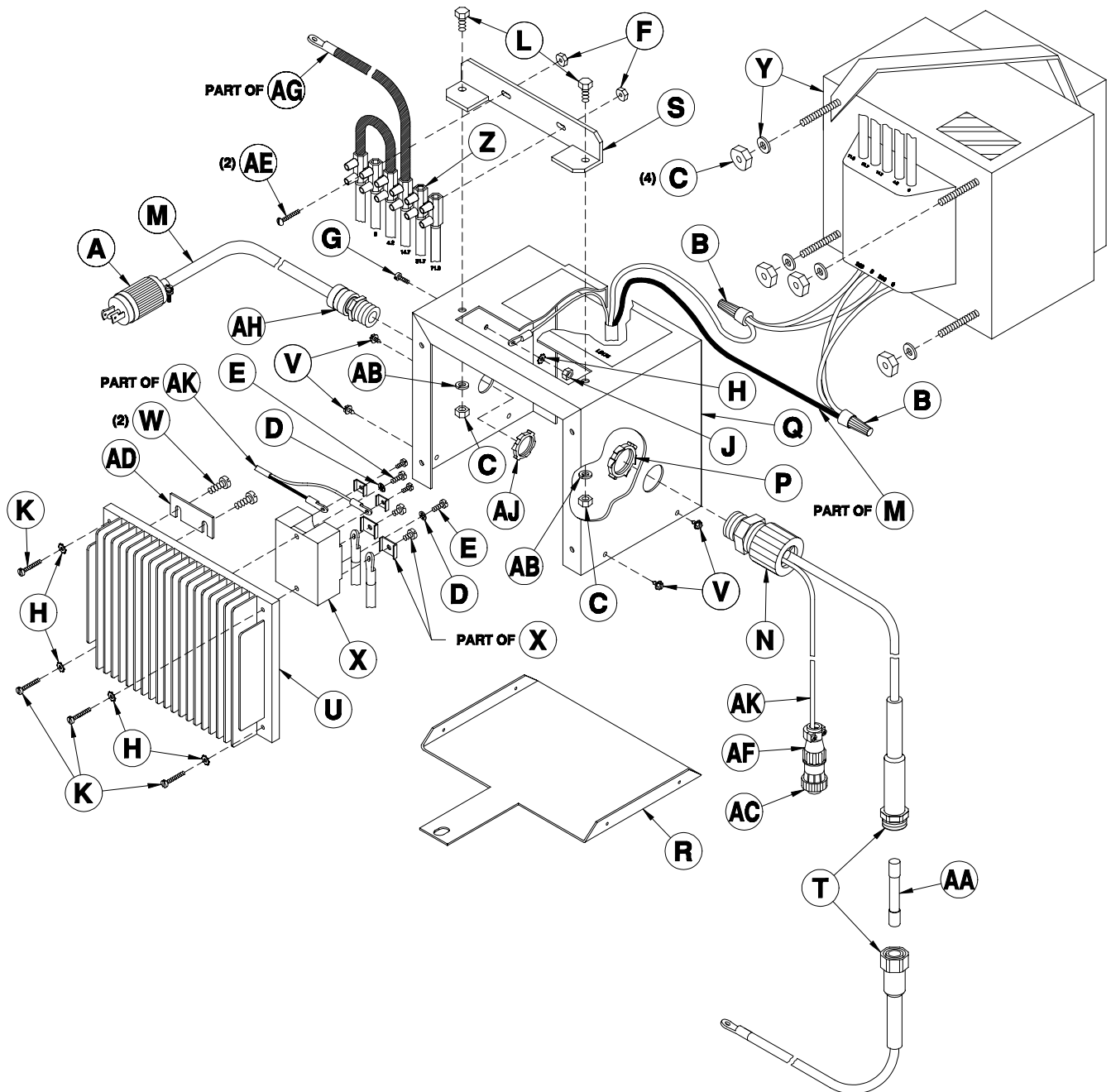


Figure 26. Automatic Hose Heat, (Part No. 1277), Exploded View

TABLE 33. AUTOMATIC HOSE HEAT, (PART NO. 1277), PARTS LIST

Reference Letter	Part Number	Description	Quantity
A	0251-1	3 Prong Plug	1
B	0363A	Insulating Wire Nut	2
C	0385-4	Hex Nut	6
D	0651A-10	Lockwasher	2
E	0651A-8	Pan Head Machine Screw	2
F	0651A-9	Hex Nut	2
G	0655-2	Pan Head Machine Screw	1
H	0655-4	Lockwasher	5
J	0668-3	Hex Nut	1
K	0698-3	Pan Head Machine Screw	4
L	0760-3	Hex Head Cap Screw	2
M	1275B-2	Input (Power) Wire Harness	1
N	1275C-1-2-1	Strain Relief	1
P	1275C-1-2-2	Locknut	1
Q	1277-1	Transformer Cover Box	1
R	1277-2	Bottom Cover	1
S	1277-4	Terminal Block Mtg. Bracket	1
T	15501-28	Hose Conn. Lead w/Fuse Holder.	1
U	1278-2	Heat Sink	1
V	1615C-4	Sheet Metal Screw	4
W	4605-3	Pan Head Machine Screw	2
X	6690-1-7	Power Cube 80 AMP	1
Y	6690-15-5	Transformer	1
Z	6690-20-5-6	Terminal Block	1
AA	6690-24-14	50 AMP Fuse	2
AB	9758	Lockwasher	2
AC	6690-13-3-11-41	4 CKT Ma Pin Plug	1
AD	14667	Terminal Jumper	1
AE	60302	Round Head Machine Screw	2
AF	6690-13-4-11	Cable Housing	1
AG	14501-5	Hose Conn. Lead Harness	1
AH	OP482-17-1	Bushing	1
AJ	OP482-17-2	Locknut	1
AK	1277-8-1	Machine To Transformer Harness (includes AC, AF)	1

## ***OPTIONAL EQUIPMENT***

### ***HOSE EQUIPMENT***

**TABLE 34. DUAL HEATED HOSE ASSEMBLY, (GENERALLY USED WITH AN H-2000)**

<b>Part Number</b>	<b>Description</b>
1250-D	1/4" x 10' Gun Hose w/ scuff jacket
1200-TC	3/8" x 50' L.V. Hose Assembly
5225-50-TC	1/2" x 50' L.V. Hose Assembly



# ELECTRICAL SCHEMATIC DIAGRAMS

## STANDARD

### Single Transformer 220V Single Phase

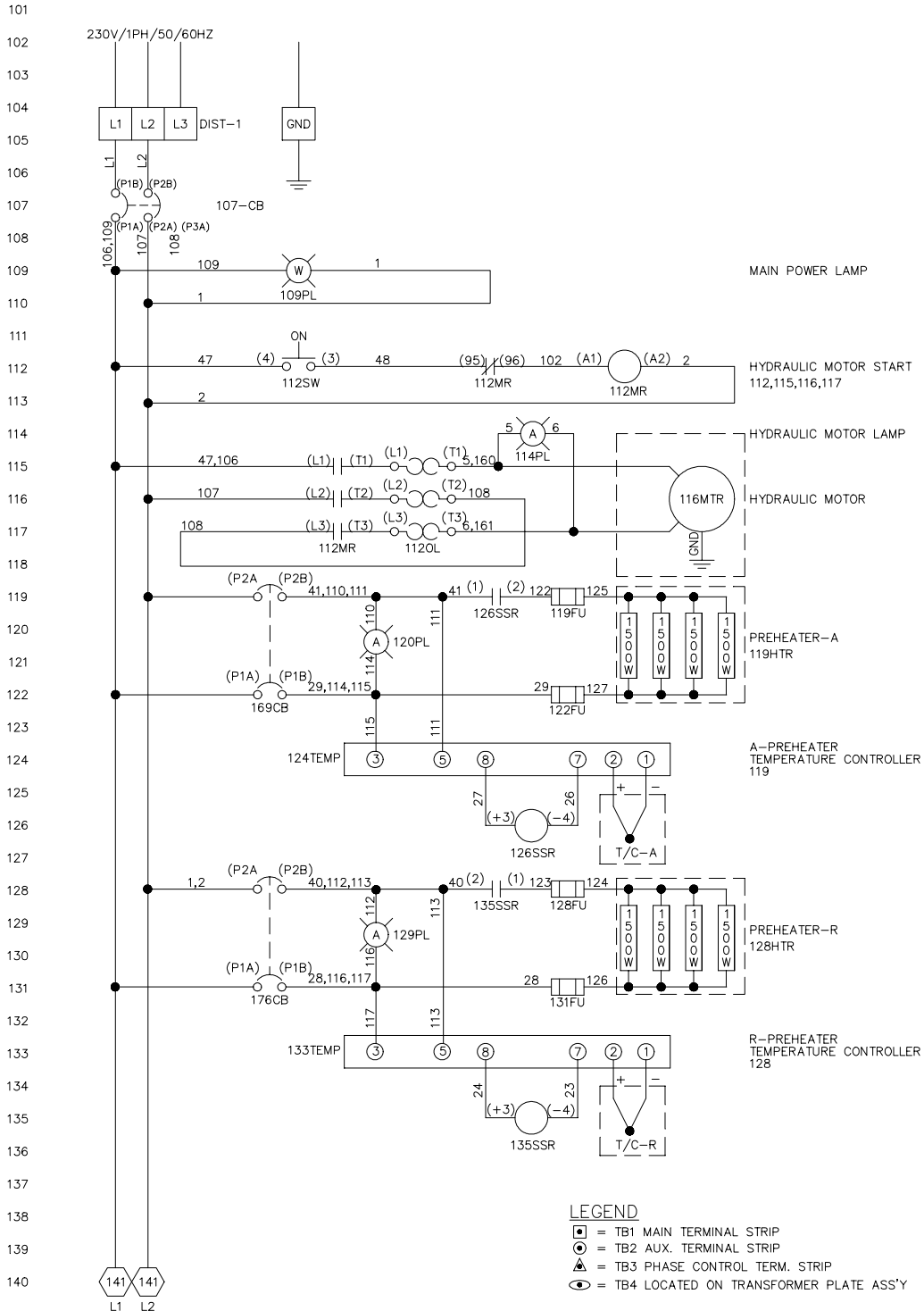


Figure 27. H-2000 Single Transformer 220V Single Phase, (Sht 1 of 3)

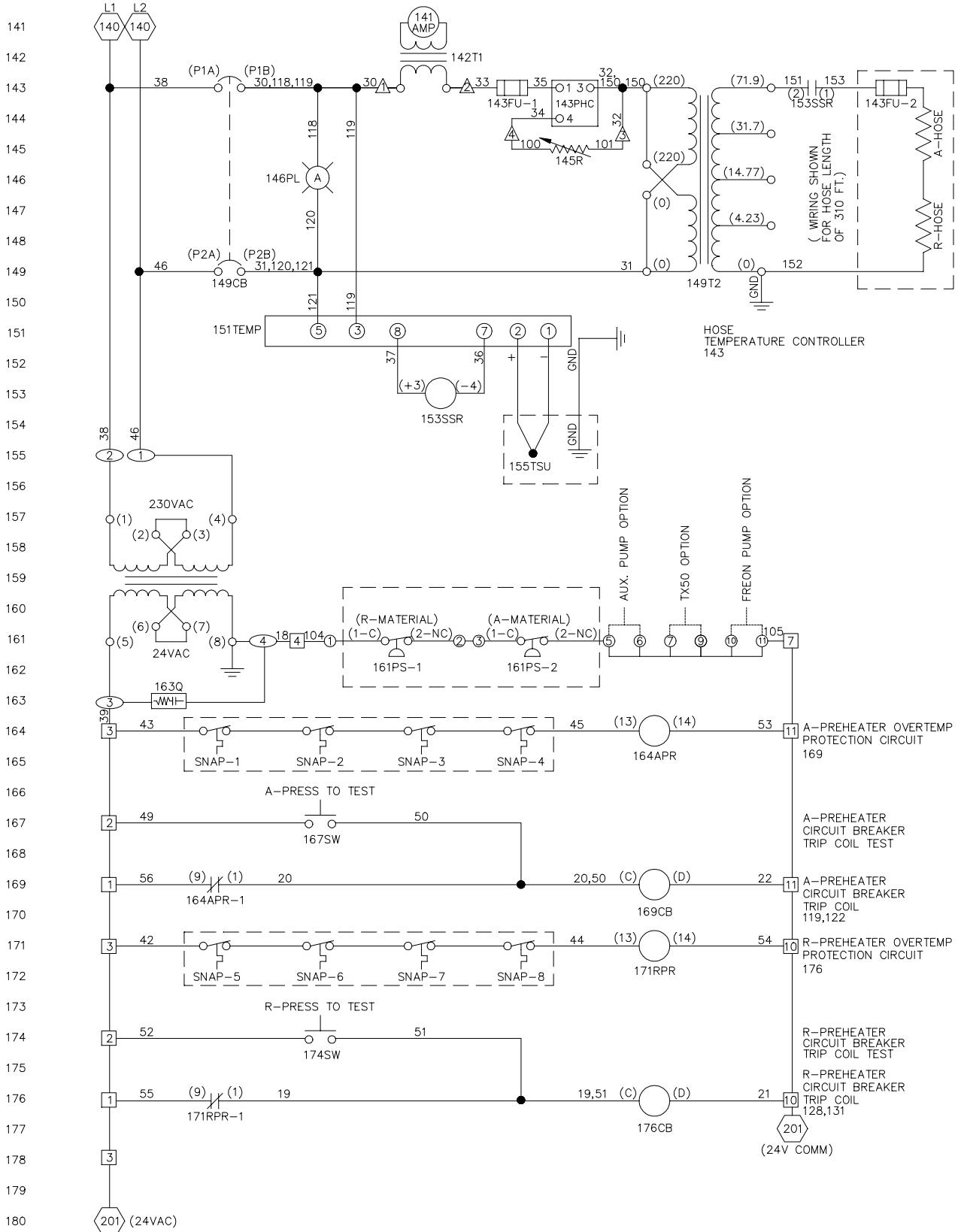


Figure 28. H-2000 Single Transformer 220V Single Phase, (Sht 2 of 3)

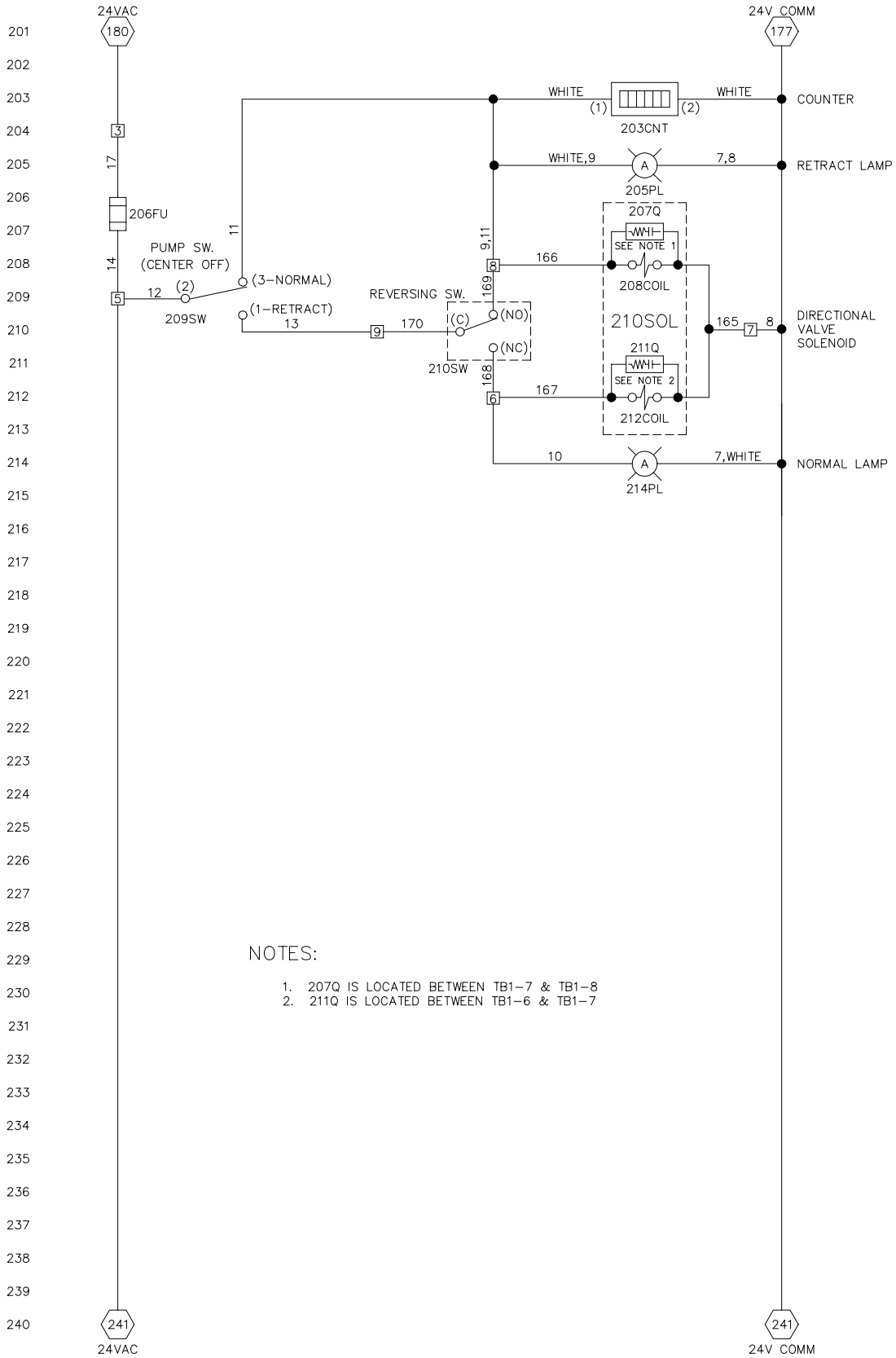


Figure 29. H-2000 Single Transformer 220V Single Phase, (Sht 3 of 3)

**TABLE 35. H-2000 SINGLE TRANSFORMER 220V SINGLE PHASE, (PARTS LIST)**

Symbol	Part Number	Description	Quantity
ENCLOSURE	15705	Panel box	1
	15707A	Front Console Panel – 1PH	1
	15652	Heat Sink (Console)	1
DIST-1	15655	Main Power Terminal Block Assembly	1
GND	1645-1	Terminal Lug	1
107CB	6690-25-3	Main Circuit Breaker – 110A	1
	15662	Circuit Breaker Shield	1
	15663	Spacer	1
	5657B	Circuit Breaker Shield Fastener	1
109PL	656	Indicator Cap – White	1
	6690-19-25	Light Base	1
	6690-19-24	Bulb	1
112SW	50602-1	Push Button Switch	1
112MR	6690-27-7	Power Contactor 50/60HZ	1
	15656	3” Mounting Track	1
112OL	6690-27-10	Overload Relay	1
114PL	660	Indicator Cap – Amber	1
	657A	Neon Light Base	1
	661	Neon Bulb	1
116MTR	15501-18	5HP Motor W/Bell Housing 1PH	REF
119FU	6651-5	Fuse – 30 Amp	1
	6651-6	Fuse Block – 30 Amp	1
119HTR	15300-8	1500W 220V Cartridge Heater	REF
120PL	660	Indicator Cap – Amber	1
	657A	Neon Light Base	1
	661	Neon Bulb	1
122FU	6651-5	Fuse – 30 Amp	1
	6651-6	Fuse Block	1
124TEMP	6690-26-9	Controller	1
126SSR	6690-1-5	SS Relay	1
T/C-A	15300A-25	Thermocouple Kit	REF
128FU	6651-5	Fuse – 30 Amp	1
	6651-6	Fuse Block – 30 Amp	1
128HTR	15300-8	1500W 220V Cartridge Heater	REF
129PL	660	Indicator Cap – Amber	1
	657A	Neon Light Base	1
	661	Neon Bulb	1
131FU	6651-5	Fuse – 30 Amp	1
	6651-6	Fuse Block – 30 Amp	1
133TEMP	6690-26-9	Controller 110/220	1
135SSR	6690-1-5	SS Relay 50A	1
T/C-R	15300A-25	Thermocouple Kit	REF
141AMP	9651-6-8	Ammeter 0-15A	1
142T1	9651-6-9	Transformer	1
143FU-1	6690-24-1	Fuse 25 Amp	1
	6690-24-2	Fuse Block 30 Amp	1
TB3	6690-20-1-4	4 Position Terminal Block	1

Symbol	Part Number	Description	Quantity
143PHC	6690-26-18	Phase Control 20A	1
143FU-2	6690-24-14	Fuse 50 Amp	1
	6690-24-13	Fuse Holder	1
A-HOSE			REF
R-HOSE			REF
145R	6690-5-17	Potentiometer	1
	9651-6-5	Shaft Lock	1
146PL	660	Indicator Cap – Amber	1
	6690-19-25	Light Base	1
	6690-19-24	Bulb	1
149CB	692-1-25	Circuit Breaker – 25A	1
149T2	6690-15-5	Transformer	1
151TEMP	6690-26-9	Controller	1
153SSR	6690-1-7	SS Relay	1
155TSU	20206-1	Temperature Sensor	REF
159T3	5611-1	Transformer	1
TB2	15661	Auxiliary Terminal Block	1
161PS-1	15516-2200	Pressure Switch W/ Spades	REF
161PS-2	15516-2200	Pressure Switch W/ Spades	REF
163Q	6690-21-1	Quencharc	1
SNAP-1	15310-5-1	Thermostat	REF
SNAP-2	15310-5-1	Thermostat	REF
SNAP-3	15310-5-1	Thermostat	REF
SNAP-4	15310-5-1	Thermostat	REF
164APR	6690-1-14	Relay	1
167SW	6651-9	Push Button Switch	1
169CB	6690-25-4	Circuit Breaker 50A	1
SNAP-5	15310-5-1	Thermostat	REF
SNAP-6	15310-5-1	Thermostat	REF
SNAP-7	15310-5-1	Thermostat	REF
SNAP-8	15310-5-1	Thermostat	REF
171RPR	6690-1-14	Relay	1
174SW	6651-9	Push Button Switch	1
176CB	6690-25-4	Circuit Breaker 50A	1
203CNT	9651-6-2	Counter	1
205PL	0658A	Incandescent Light Base	1
	0662A	Incandescent Bulb	1
	0660	Indicator Cap – Amber	1
206FU	6690-24-3	8 Amp Fuse	1
	5653B	Fuse Holder	1
207Q	6690-21-1	Quencharc	1
208COIL	14549-1	24V AC Coil	REF
209SW	6690-16-6	Toggle Switch	1
210SW	0578A	Reversing Switch	1
210SOL	14549	Directional Valve	REF
211Q	6690-21-1	Quencharc	1
212COIL	14549-1	24V AC Coil	REF
214PL	0658A	Incandescent Light Base	1
	0662A	Incandescent Bulb	1

Symbol	Part Number	Description	Quantity
	0660	Indicator Cap – Amber	1
TB1	15651	Main Terminal Block Assembly	1
	5612B-2	Terminal Guard	1
	5612B-3	Nylon Screw	1
TB4	6690-20-4-5	5 Position Terminal Block	1
	6690-20-4-5-1	5 Position Marker Strip	1

Single Transformer 220V Three Phase

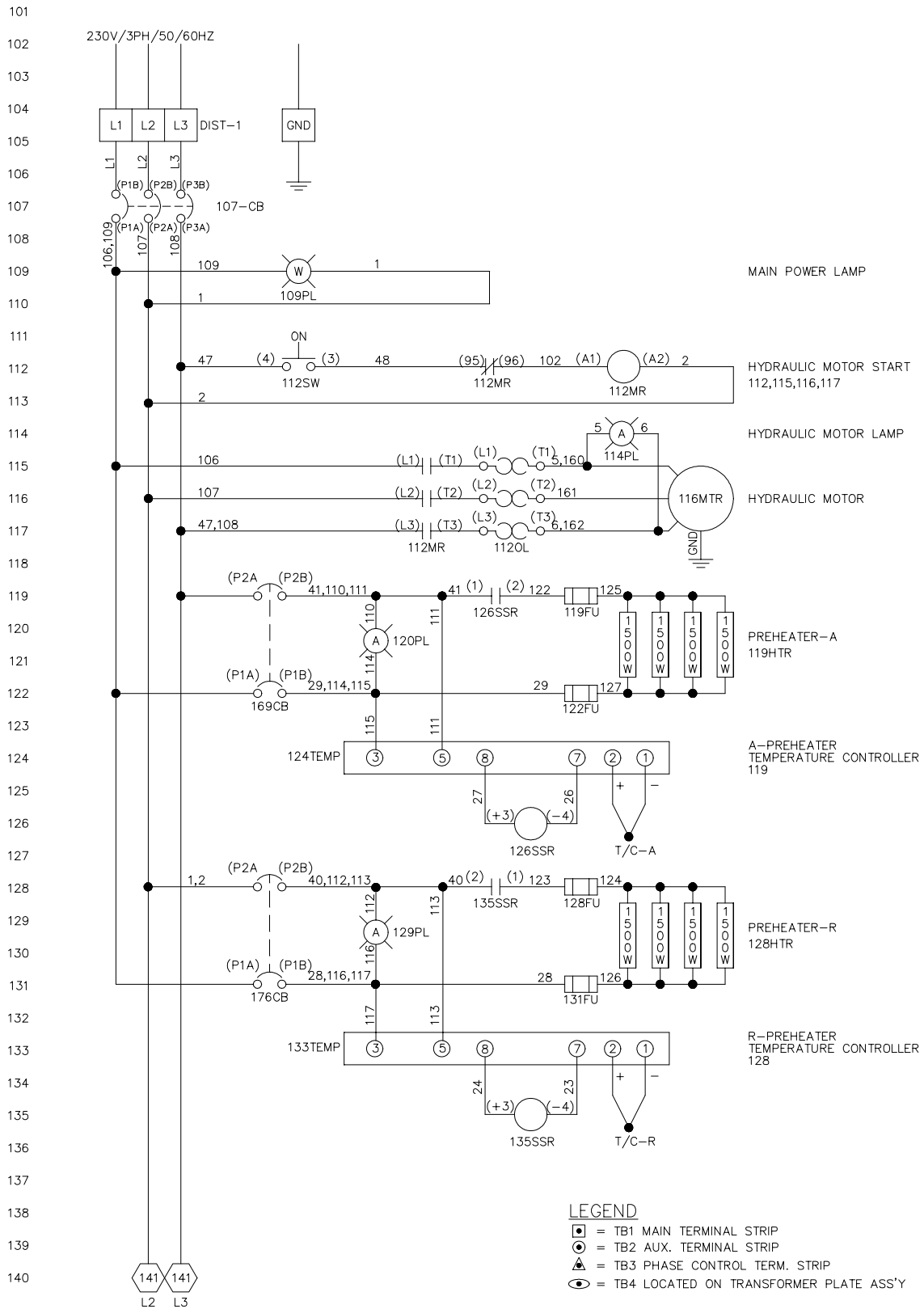
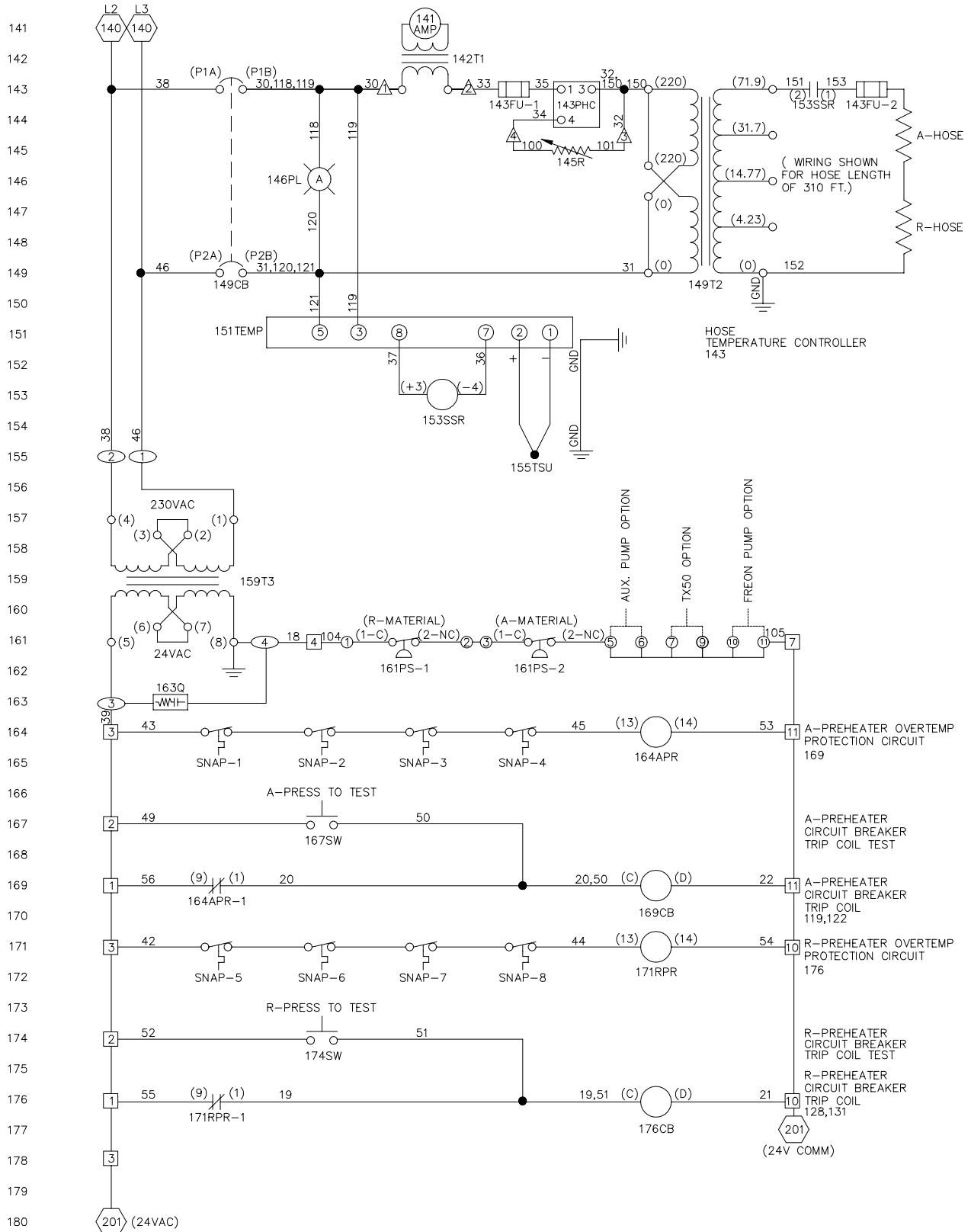


Figure 30. H-2000 Single Transformer 220V Three Phase, (Sht 1 of 3)





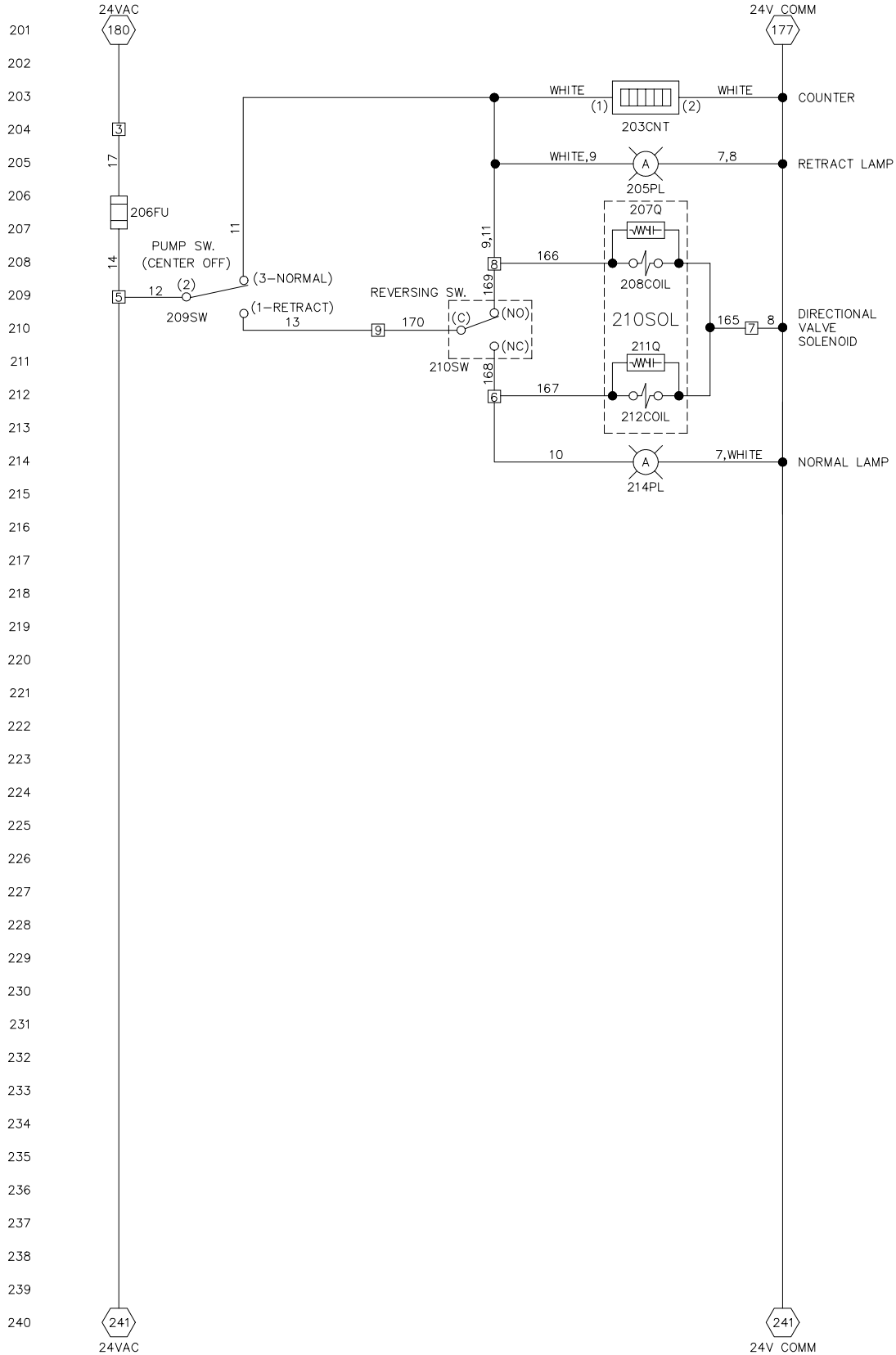


Figure 32. H-2000 Single Transformer 220V Three Phase, (Sht 3 of 3)

TABLE 36. H-2000 SINGLE TRANSFORMER 220V THREE PHASE, (PARTS LIST)

Symbol	Part Number	Description	Quantity
ENCLOSURE	15705	Panel Box	1
	15717A	Front Console Panel – 1PH	1
	15652	Heat Sink (Console)	1
DIST-1	15655	Main Power Terminal Block Assembly	1
GND	1645-1	Terminal Lug	1
107CB	5601A-1	Main Circuit Breaker – 70A 3PH	1
	5656B	Circuit Breaker Shield	1
	5657B	Circuit Breaker Shield Fastener	1
109PL	0656	Indicator Cap – White	1
	6690-19-25	Light Base	1
	6690-19-24	Bulb	1
112SW	50602-1	Push Button Switch	1
112MR	6690-27-7	Power Contactor 50/60HZ	1
	15656	3” Mounting Track	1
112OL	6690-27-8	Overload Relay	1
114PL	0660	Indicator Cap – Amber	1
	0657A	Neon Light Base	1
	0661	Neon Bulb	1
116MTR	15501-10	5HP Motor W/Bell Housing 3PH	REF
119FU	6651-5	Fuse – 30 Amp	1
	6651-6	Fuse Block	1
119HTR	15300-8	1500W 220V Cartridge Heater	REF
120PL	0660	Indicator Cap – Amber	1
	0657A	Neon Light Base	1
	0661	Neon Bulb	1
122FU	6651-5	Fuse – 30 Amp	1
	6651-6	Fuse Block	1
124TEMP	6690-26-9	Controller	1
126SSR	6690-1-5	SS Relay	1
T/C-A	15300A-25	Thermocouple Kit	REF
128FU	6651-5	Fuse – 30 Amp	1
	6651-6	Fuse Block	1
128HTR	15300-8	1500W 220V Cartridge Heater	REF
129PL	0660	Indicator Cap – Amber	1
	6690-19-25	Light Base	1
	6690-29-24	Bulb	1
131FU	6651-5	Fuse – 30 Amp	1
	6651-6	Fuse Block	1
133TEMP	6690-26-9	Controller	1
135SSR	6690-1-5	SS Relay 50A	1
T/C-R	15300A-25	Thermocouple Kit	REF
141AMP	9651-6-8	Ammeter 0-15A	1
142T1	9651-6-9	Transformer	1
143FU-1	6690-24-1	Fuse 25 Amp	1
	6690-24-2	Fuse Block 30 Amp	1
TB3	6690-20-1-4	4 Position Terminal Block	1
143PHC	6690-26-18	Phase Control 20A	1

Symbol	Part Number	Description	Quantity
143FU-2	6690-24-14	Fuse 50 Amp	1
	6690-24-13	Fuse Holder	1
A-HOSE			REF
R-HOSE			REF
145R	6690-5-17	Potentiometer	1
	9651-6-5	Shaft Lock	1
146PL	0660	Indicator Cap – Amber	1
	6690-19-25	Light Base	1
	6690-19-24	Bulb	1
149CB	692-1-25	Circuit Breaker – 25A	1
149T2	6690-15-5	Transformer	1
151TEMP	6690-26-9	Controller	1
153SSR	6690-1-7	SS Relay	1
155TSU	20206-1	Temperature Sensor	REF
159T3	5611-1	Transformer	1
TB2	15661	Auxiliary Terminal Block	1
161PS-1	15516-2200	Pressure Switch W/ Spades	REF
161PS-2	15516-2200	Pressure Switch W/ Spades	REF
163Q	6690-21-1	Quencharc	1
SNAP-1	15310-5-1	Thermostat	REF
SNAP-2	15310-5-1	Thermostat	REF
SNAP-3	15310-5-1	Thermostat	REF
SNAP-4	15310-5-1	Thermostat	REF
164APR	6690-1-14	Relay	1
167SW	6651-9	Push Button Switch	1
169CB	6690-25-4	Circuit Breaker 50A	1
SNAP-5	15310-5-1	Thermostat	REF
SNAP-6	15310-5-1	Thermostat	REF
SNAP-7	15310-5-1	Thermostat	REF
SNAP-8	15310-5-1	Thermostat	REF
171RPR	6690-1-14	Relay	1
174SW	6651-9	Push Button Switch	1
176CB	6690-25-4	Circuit Breaker 50A	1
203CNT	9651-6-2	Counter	1
205PL	0658A	Incandescent Light Base	1
	0662A	Incandescent Bulb	1
	0660	Indicator Cap – Amber	1
206FU	6690-24-3	8 Amp Fuse	1
	5653B	Fuse Holder	1
207Q	6690-21-1	Quencharc	1
208COIL	14549-1	24V AC Coil	REF
209SW	6690-16-6	Toggle Switch	1
210SW	0578A	Reversing Switch	1
210SOL	14549	Directional Valve	REF
211Q	6690-21-1	Quencharc	1
212COIL	14549-1	24V AC Coil	REF
214PL	0658A	Incandescent Light Base	1
	0662A	Incandescent Bulb	1
	0660	Indicator Cap – Amber	1

Symbol	Part Number	Description	Quantity
TB1	15651	Main Terminal Block Assembly	1
	5612B-2	Terminal Guard	1
	5612B-3	Nylon Screw	1
TB4	6690-20-4-5	5 Position Terminal Block	1
	6690-20-4-5-1	5 Position Marker Strip	1

Single Transformer 380V Three Phase

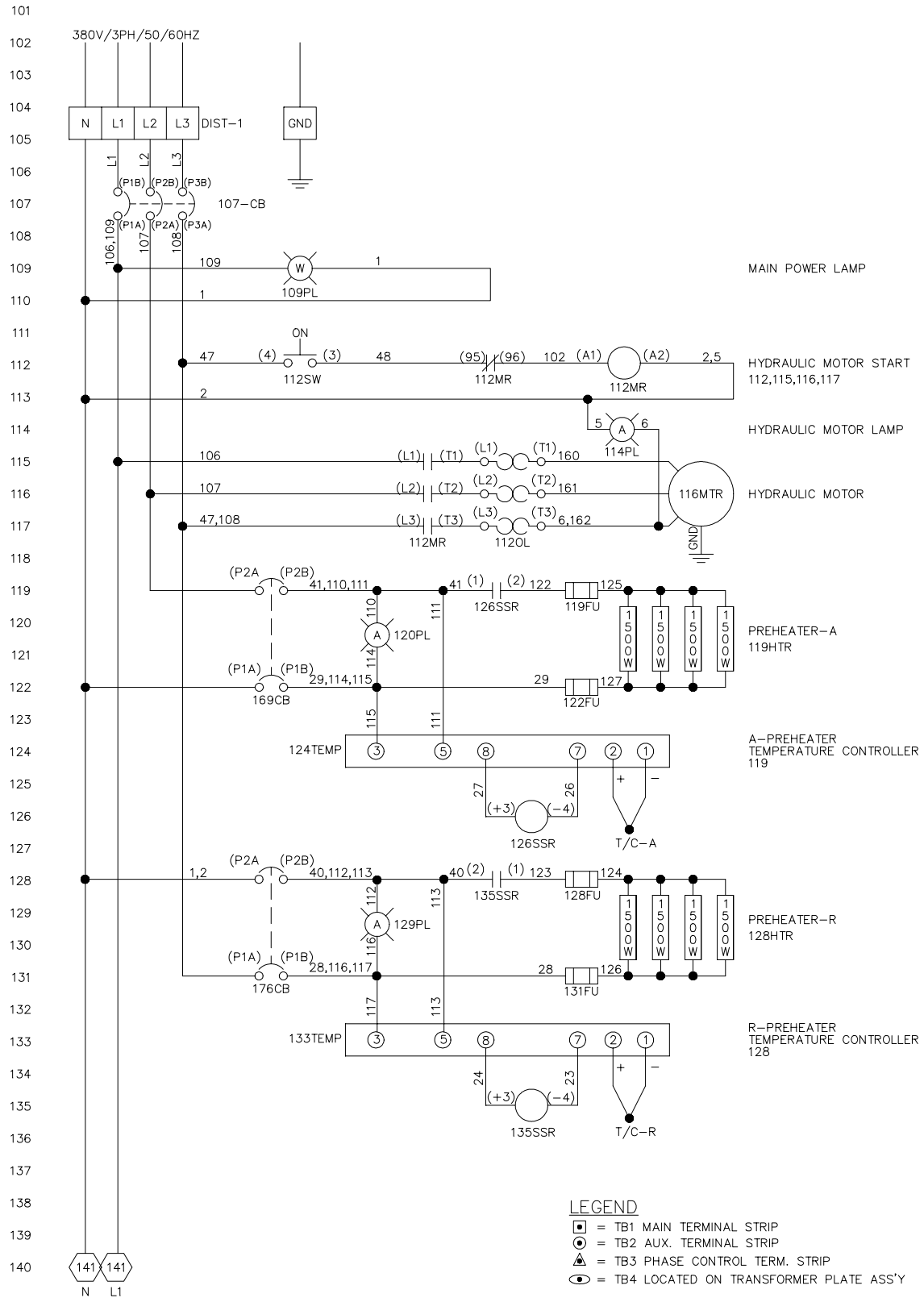
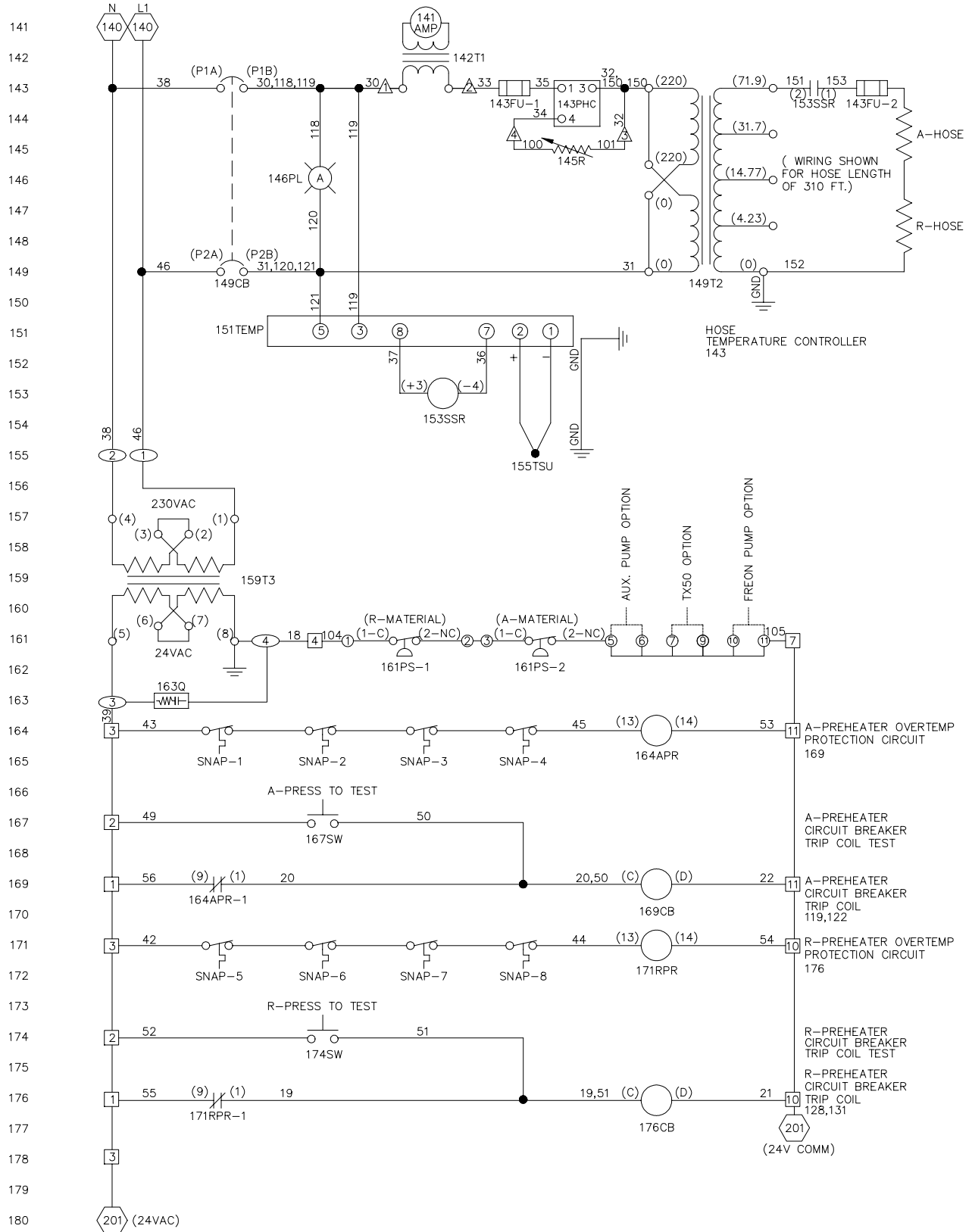


Figure 33. H-2000 Single Transformer 380V Three Phase, (Sht 1 of 3)



**Figure 34. H-2000 Single Transformer 380V Three Phase, (Sht 2 of 3)**

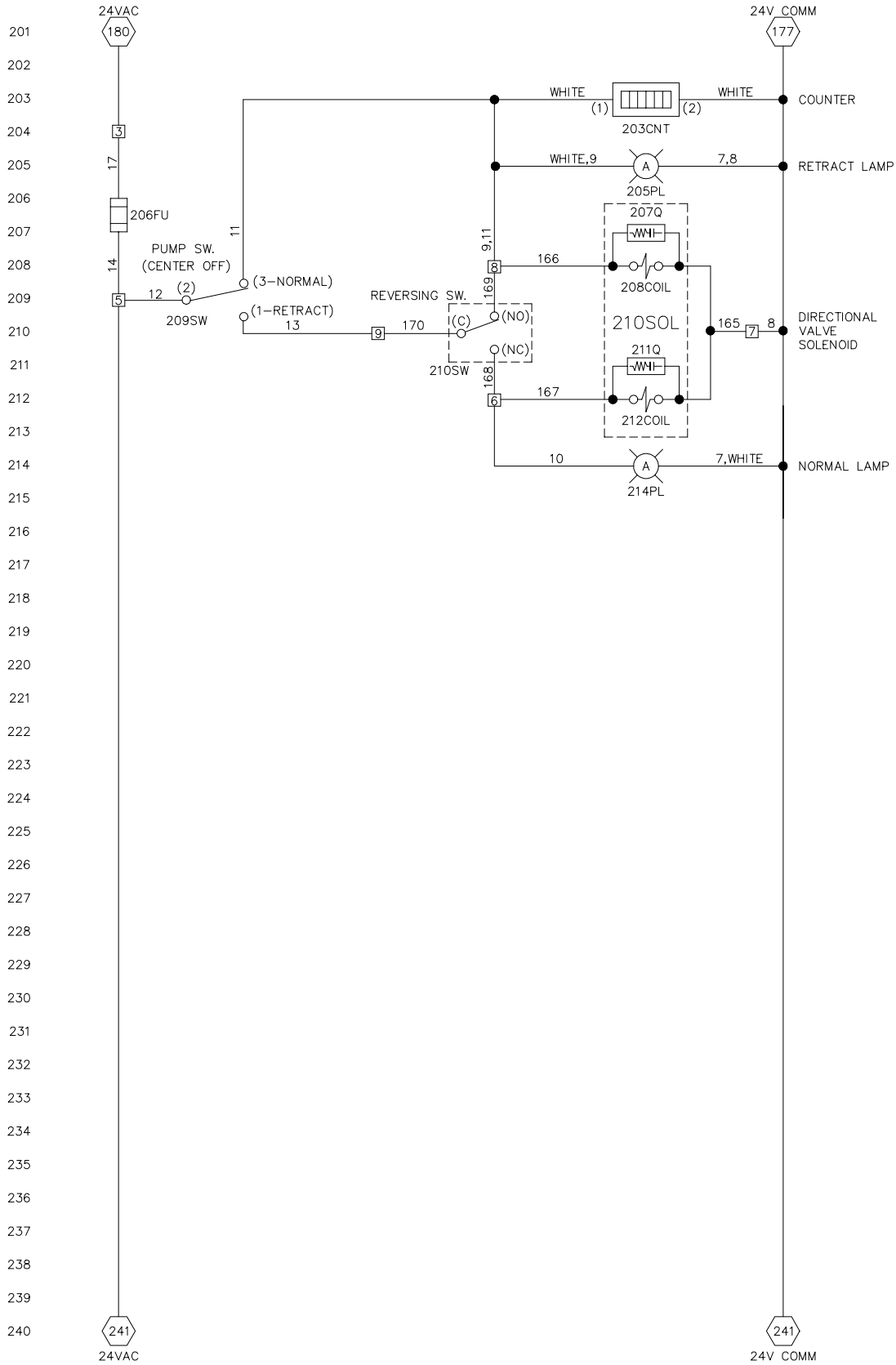


Figure 35. H-2000 Single Transformer 380V Three Phase, (Sht 3 of 3)

**TABLE 37. H-2000 SINGLE TRANSFORMER 380V THREE PHASE, (PARTS LIST)**

Symbol	Part Number	Description	Quantity
ENCLOSURE	15705	Panel Box	1
	15717A	Front Console Panel – 1PH	1
	15652	Heat Sink (Console)	1
DIST-1	15655	Main Power Terminal Block Assembly	1
GND	1645-1	Terminal Lug	1
107CB	5601A-1	Main Circuit Breaker – 70A 3PH	1
	5656B	Circuit Breaker Shield	1
	5657B	Circuit Breaker Shield Fastener	1
109PL	0656	Indicator Cap – White	1
	6690-19-25	Light Base	1
	6690-19-24	Bulb	1
112SW	50602-1	Push Button Switch	1
112MR	6690-27-7	Power Contactor 50/60HZ	1
	15656	3” Mounting Track	1
112OL	6690-27-11	Overload Relay	1
114PL	0660	Indicator Cap – Amber	1
	0657A	Neon Light Base	1
	0661	Neon Bulb	1
116MTR	15501-10	5HP Motor W/Bell Housing 3PH	REF
119FU	6651-5	Fuse – 30 Amp	1
	6651-6	Fuse Block	1
119HTR	15300-8	1500W 220V Cartridge Heater	REF
120PL	0660	Indicator Cap – Amber	1
	6690-19-25	Light Base	1
	6690-19-24	Bulb	1
122FU	6651-5	Fuse – 30 Amp	1
	6651-6	Fuse Block	1
124TEMP	6690-26-9	Controller	1
126SSR	6690-1-5	SS Relay	1
T/C-A	15300A-25	Thermocouple Kit	REF
128FU	6651-5	Fuse – 30 Amp	1
	6651-6	Fuse Block	1
128HTR	15300-8	1500W 220V Cartridge Heater	REF
129PL	0660	Indicator Cap – Amber	1
	6690-19-25	Light Base	1
	6690-19-24	Bulb	1
131FU	6651-5	Fuse – 30 Amp	1
	6651-6	Fuse Block	1
133TEMP	6690-26-9	Controller	1
135SSR	6690-1-5	SS Relay 50A	1
T/C-R	15300A-25	Thermocouple Kit	REF
141AMP	9651-6-8	Ammeter 0-15A	1
142T1	9651-6-9	Transformer	1
143FU-1	6690-24-1	Fuse 25 Amp	1
	6690-24-2	Fuse Block 30 Amp	1
TB3	6690-20-1-4	4 Position Terminal Block	1

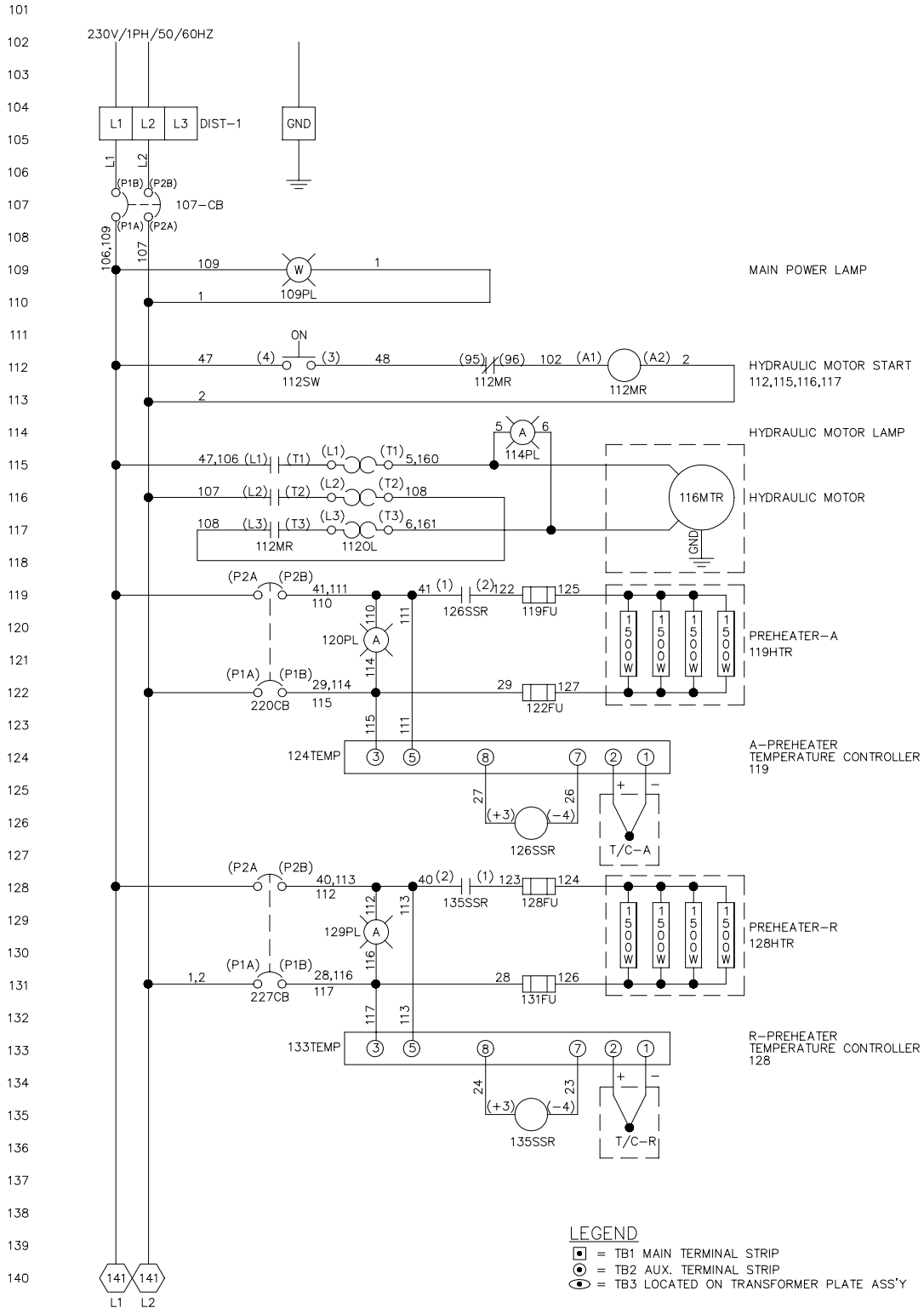


Symbol	Part Number	Description	Quantity
143PHC	6690-26-18	Phase Control 20A	1
143FU-2	6690-24-14	Fuse 50 Amp	1
	6690-24-13	Fuse Holder	1
A-HOSE			REF
R-HOSE			REF
145R	6690-5-17	Potentiometer	1
	9651-6-5	Shaft Lock	1
146PL	0660	Indicator Cap – Amber	1
	6690-19-25	Light Base	1
	6690-19-24	Bulb	1
149CB	692-1-25	Circuit Breaker – 25A	1
149T2	6690-15-5	Transformer	1
151TEMP	6690-26-9	Controller	1
153SSR	6690-1-7	SS Relay	1
155TSU	20206-1	Temperature Sensor	REF
159T3	5611-1	Transformer	1
TB2	15661	Auxiliary Terminal Block	1
161PS-1	15516-2200	Pressure Switch W/ Spades	REF
161PS-2	15516-2200	Pressure Switch W/ Spades	REF
163Q	6690-21-1	Quencharc	1
SNAP-1	15310-5-1	Thermostat	REF
SNAP-2	15310-5-1	Thermostat	REF
SNAP-3	15310-5-1	Thermostat	REF
SNAP-4	15310-5-1	Thermostat	REF
164APR	6690-1-14	Relay	1
167SW	6651-9	Push Button Switch	1
169CB	6690-25-4	Circuit Breaker	1
SNAP-5	15310-5-1	Thermostat	REF
SNAP-6	15310-5-1	Thermostat	REF
SNAP-7	15310-5-1	Thermostat	REF
SNAP-8	15310-5-1	Thermostat	REF
171RPR	6690-1-14	Relay	1
174SW	6651-9	Push Button Switch	1
176CB	6690-25-4	Circuit Breaker	1
203CNT	9651-6-2	Counter	1
205PL	0658A	Incandescent Light Base	1
	0662A	Incandescent Bulb	1
	0660	Indicator Cap – Amber	1
206FU	6690-24-3	8 Amp Fuse	1
	5653B	Fuse Holder	1
207Q	6690-21-1	Quencharc	1
208COIL	14549-1	24V AC Coil	REF
209SW	6690-16-6	Toggle Switch	1
210SW	0578A	Reversing Switch	1
210SOL	14549	Directional Valve	REF
211Q	6690-21-1	Quencharc	1
212COIL	14549-1	24V AC Coil	REF
214PL	0658A	Incandescent Light Base	1
	0662A	Incandescent Bulb	1

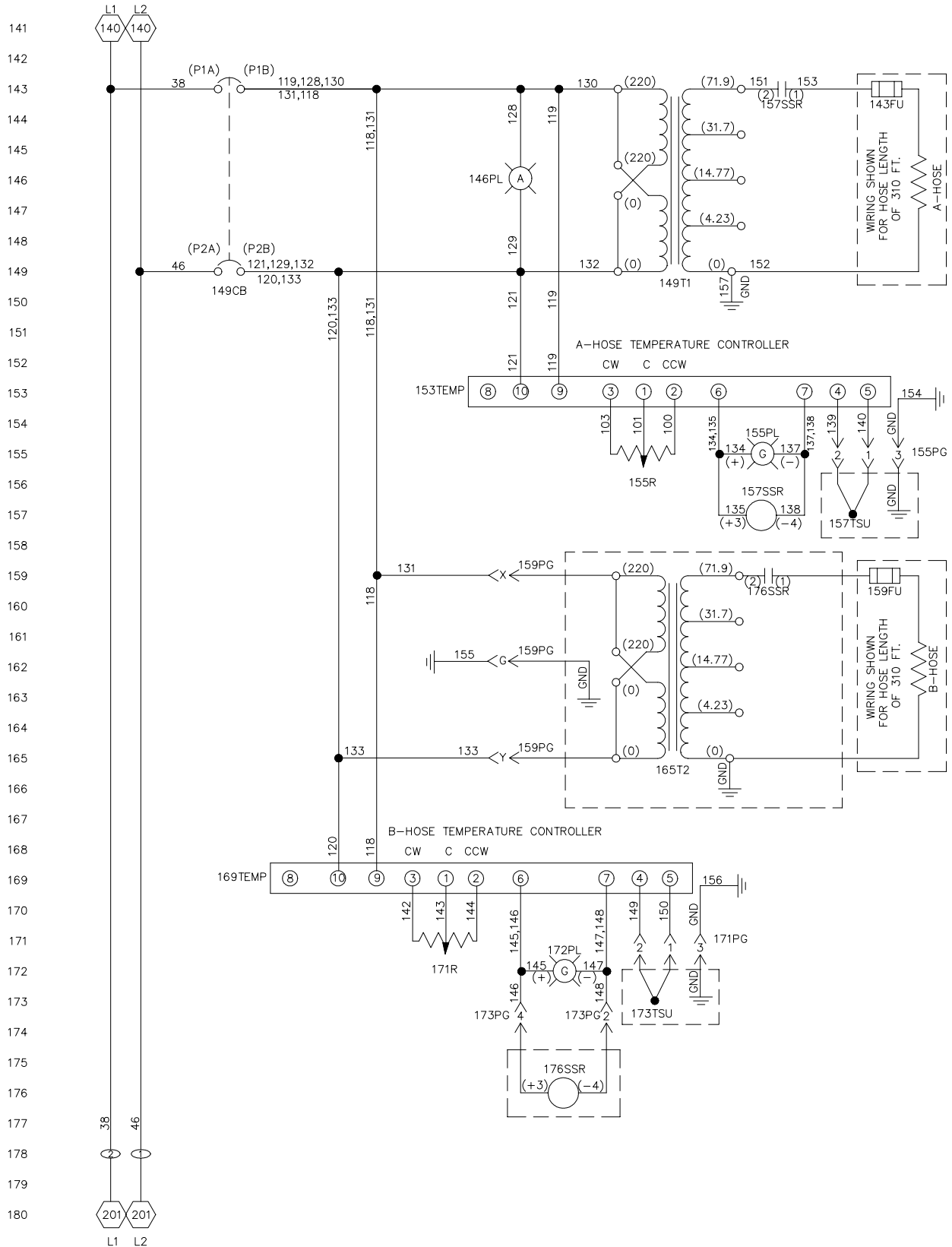
Symbol	Part Number	Description	Quantity
	0660	Indicator Cap – Amber	1
TB1	15651	Main Terminal Block Assembly	1
	5612B-2	Terminal Guard	1
	5612B-3	Nylon Screw	1
TB4	6690-20-4-5	5 Position Terminal Block	1
	6690-20-4-5-1	5 Position Marker Strip	1

# INDIVIDUAL HEAT (IH)

## Dual Transformer 220V Single Phase



**Figure 36. H-2000 Dual Transformer 220V Single Phase, (Sht 1 of 3)**



**Figure 37. H-2000 Dual Transformer 220V Single Phase, (Sht 2 of 3)**

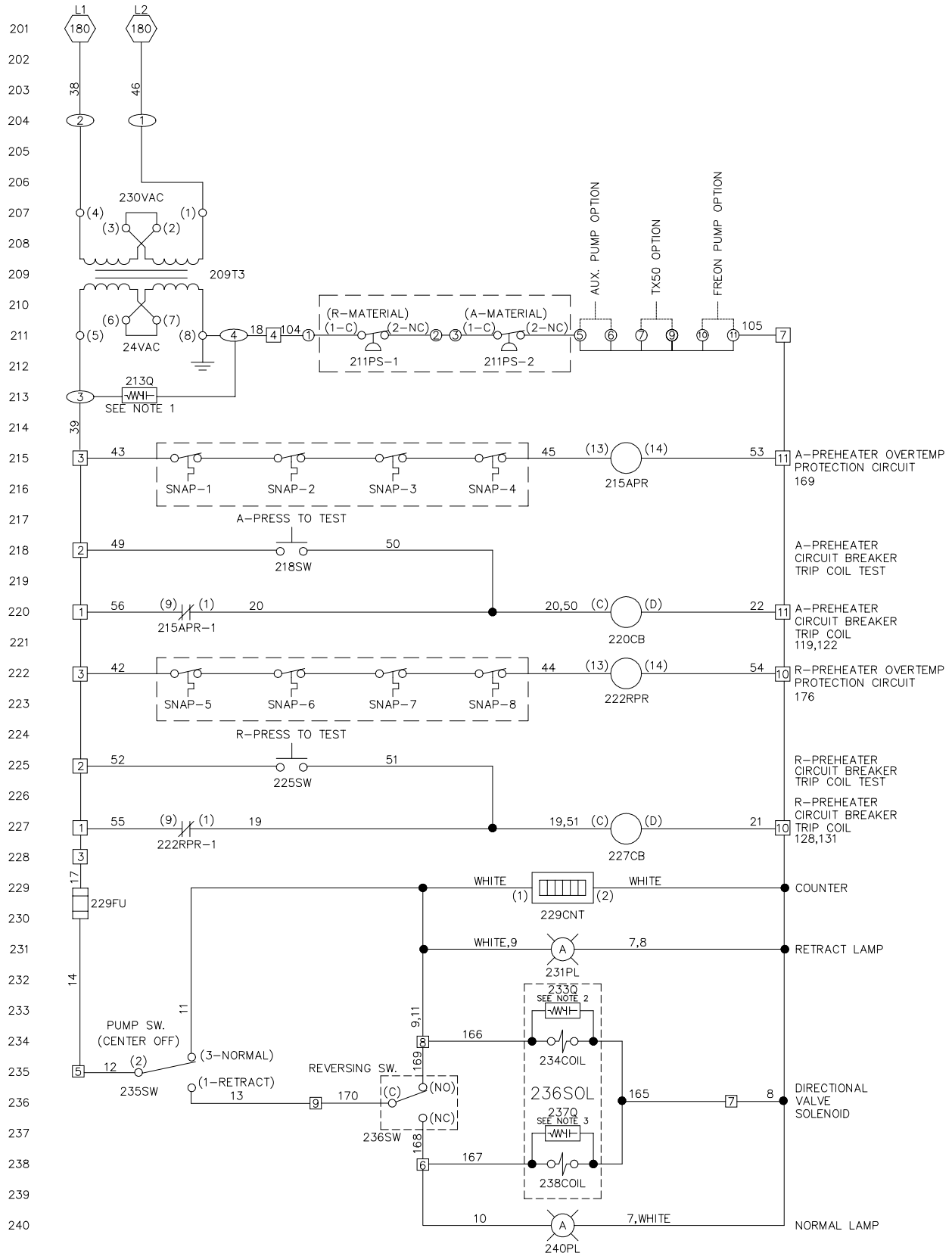


Figure 38. H-2000 Dual Transformer 220V Single Phase, (Sht 3 of 3)

TABLE 38. H-2000 DUAL TRANSFORMER 220V SINGLE PHASE, (PARTS LIST)

Symbol	Part Number	Description	Quantity
ENCLOSURE	15705-DH	Panel box	1
	15707A-IH	Front Console Panel – 1PH	1
	15652	Heat Sink (Console)	1
DIST-1	15655	Main Power Terminal Block Assembly	1
GND	1645-1	Terminal Lug	1
107CB	6690-25-3	Main Circuit Breaker – 110A	1
	15662	Circuit Breaker Shield	1
	5657B	Circuit Breaker Shield Fastener	1
109PL	0656	Indicator Cap – White	1
	6690-19-25	Light Base	1
	6690-19-24	Bulb	1
112SW	50602-1	Push Button Switch	1
112MR	6690-27-7	Power Contactor 50/60HZ	1
	15656	3” Mounting Track	1
112OL	6690-27-10	Overload Relay	1
114PL	0660	Indicator Cap – Amber	1
	0657A	Neon Light Base	1
	0661	Neon Bulb	1
116MTR	15501-18	5HP Motor W/Bell Housing 1PH	REF
119FU	6651-5	Fuse – 30 Amp	1
	6651-6	Fuse Block	1
119HTR	15300-8	1500W 220V Cartridge Heater	REF
120PL	0660	Indicator Cap – Amber	1
	6690-19-25	Light Base	1
	6690-19-24	Bulb	1
122FU	6651-5	Fuse – 30 Amp	1
	6651-6	Fuse Block	1
124TEMP	6690-26-9	Controller	1
126SSR	6690-1-5	SS Relay	1
T/C-A	15300A-25	Thermocouple Kit	REF
128FU	6651-5	Fuse – 30 Amp	1
	6651-6	Fuse Block	1
128HTR	15300-8	1500W 220V Cartridge Heater	REF
129PL	0660	Indicator Cap – Amber	1
	6690-19-25	Light Base	1
	6690-19-24	Bulb	1
131FU	6651-5	Fuse – 30 Amp	1
	6651-6	Fuse Block	1
133TEMP	6690-26-9	Controller	1
135SSR	6690-1-5	SS Relay 50A	1
T/C-R	15300A-25	Thermocouple Kit	REF
143FU	6690-24-14	Fuse 50 Amp	1
	6690-24-13	Fuse Holder	1
146PL	0660	Indicator Cap – Amber	1
	6690-19-25	Light Base	1
	6690-19-24	Bulb	1

Symbol	Part Number	Description	Quantity
149CB	6690-25-4	Circuit Breaker 50A	1
149T1	15276	Transformer	1
A-HOSE			REF
153TEMP	6690-26-10	Controller	1
155R	6690-5-14	Potentiometer	1
155PL	6690-19-10-2	Green Led Lamp 12VDC	1
155PG	6690-13-2-11-4	4CKT Male Pin Housing	1
157SSR	6690-1-7	S/S Relay	1
157TSU	20206-12/12 IHTC	Temperature Sensing Unit	REF
159PG	0670A-1	Socket	1
159FU	6690-24-13	Fuse Holder	1
	6690-24-14	Fuse 50 Amp	1
165T2	6690-15-5	Transformer (Part of P/N 1277)	REF
B-HOSE			REF
169TEMP	6690-26-10	Controller	1
171R	6690-5-14	Potentiometer	1
171PG	6690-13-2-11-41	4 CKT Female Pin Housing	1
172PL	6690-19-10-2	Green Led Lamp 12 VDC	1
173TSU	20206-12/12 IHTC	Temperature Sensing Unit	REF
173PG	6690-13-2-11-41	4 CKT Female Pin Housing	1
176SSR	6690-1-7	Power Cube 80 Amp (Part of P/N 1277)	REF
TB3	6690-20-4-5	5 Position Terminal Block	1
	6690-20-4-5-1	5 Position Marker Strip	1
209T3	5611-1	Transformer	1
TB2	15661	Auxiliary Terminal Block	1
TB1	15651	Main Terminal Block Assembly	1
	5612B-2	Terminal Guard	1
	5612B-3	Nylon Screw	1
211PS-1	15516-2200	Pressure Switch W/ Spades	1
211PS-1	15516-2200	Pressure Switch W/ Spades	1
213Q	6690-21-1	Quencharc	1
SNAP-1	15310-5-1	Thermostat	1
SNAP-2	15310-5-1	Thermostat	1
SNAP-3	15310-5-1	Thermostat	1
SNAP-4	15310-5-1	Thermostat	1
215APR	6690-1-14	Relay	1
218SW	6651-9	Push Button Switch	1
220CB	6690-25-4	Circuit Breaker 50A	1
SNAP-5	15310-5-1	Thermostat	1
SNAP-6	15310-5-1	Thermostat	1
SNAP-7	15310-5-1	Thermostat	1
SNAP-8	15310-5-1	Thermostat	1
222RPR	6690-1-14	Relay	1
225SW	6651-9	Push Button Switch	1
227CB	6690-25-4	Circuit Breaker 50A	1
229FU	6690-24-3	8 Amp Fuse	1
	5653B	Fuse Holder	1
229CNT	9651-6-2	Counter	1
231PL	0658A	Incandescent Light Base	1

Symbol	Part Number	Description	Quantity
	0662A	Incandescent Bulb	1
	0660	Indicator Cap – Amber	1
233Q	6690-21-1	Quencharc	1
234COIL	14549-1	24V AC Coil	1
235SW	6690-16-6	Toggle Switch	1
236SW	0578A	Reversing Switch	1
236SOL	14549	Direction Valve	1
237Q	6690-21-1	Quencharc	1
238COIL	14549-1	24V AC Coil	1
240PL	0658A	Incandescent Light Base	1
	0662A	Incandescent Bulb	1
	0660	Indicator Cap – Amber	1



Dual Transformer 220V Three Phase

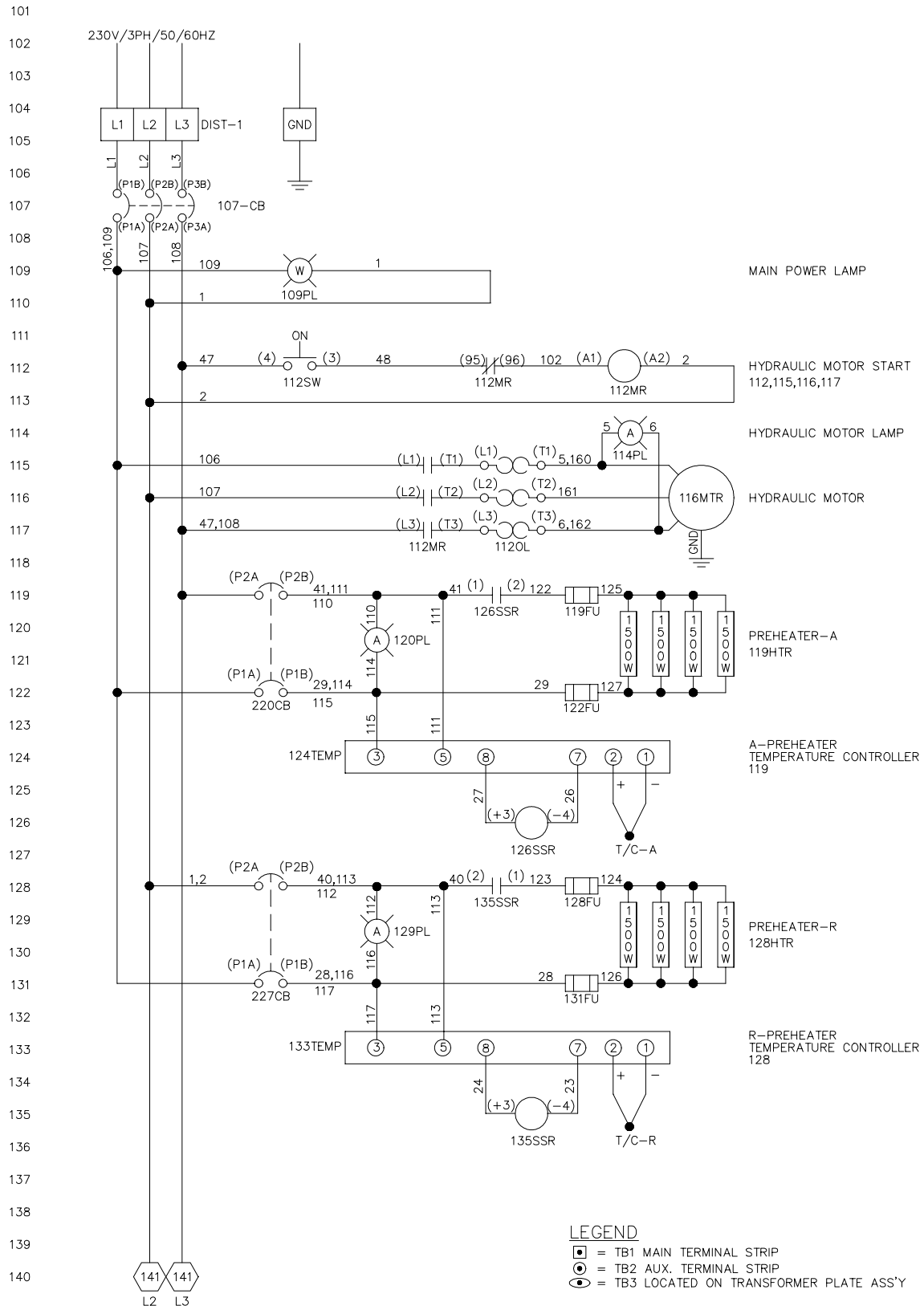
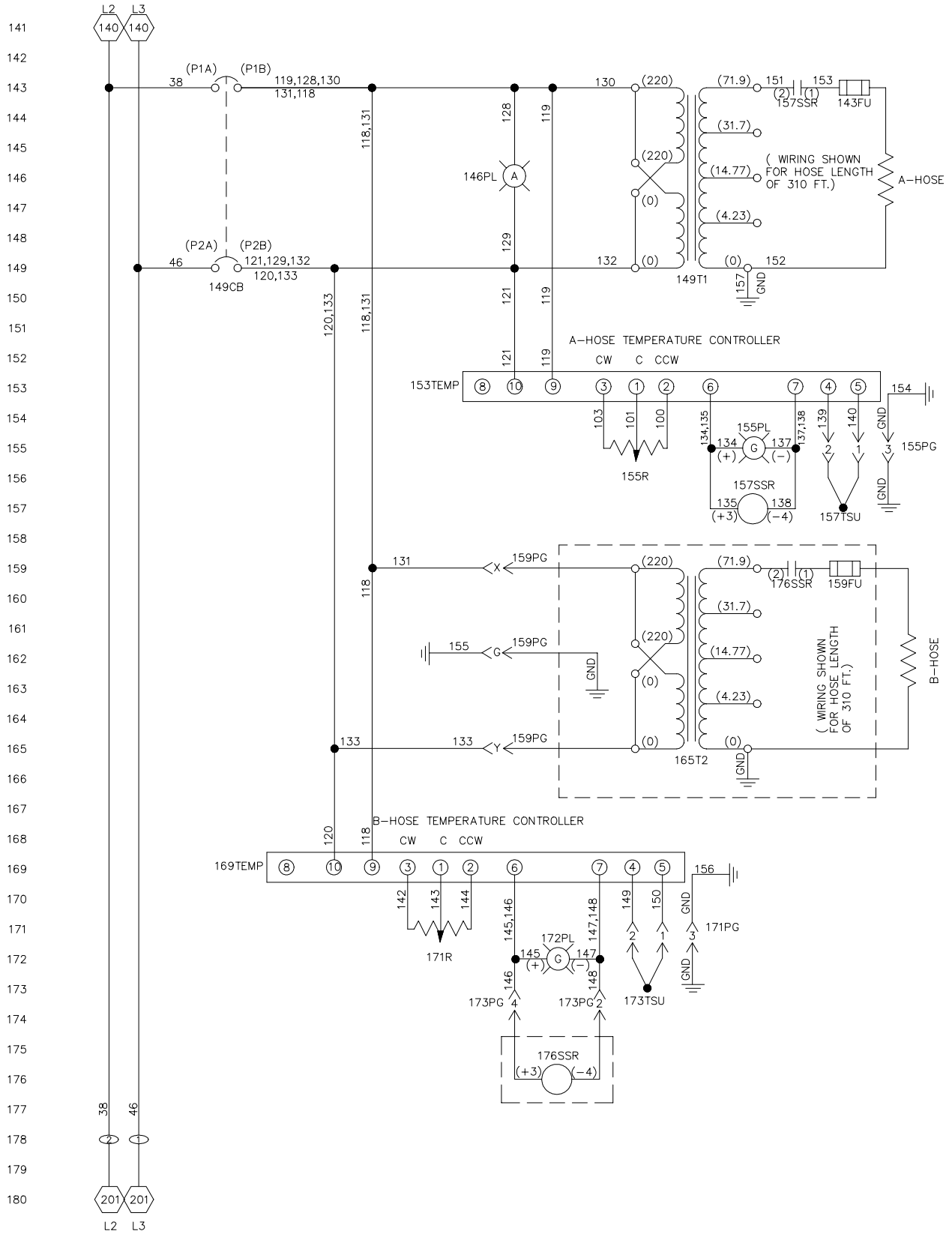


Figure 39. H-2000 Dual Transformer 220V Three Phase, (Sht 1 of 3)



**Figure 40. H-2000 Dual Transformer 220V Three Phase, (Sht 2 of 3)**

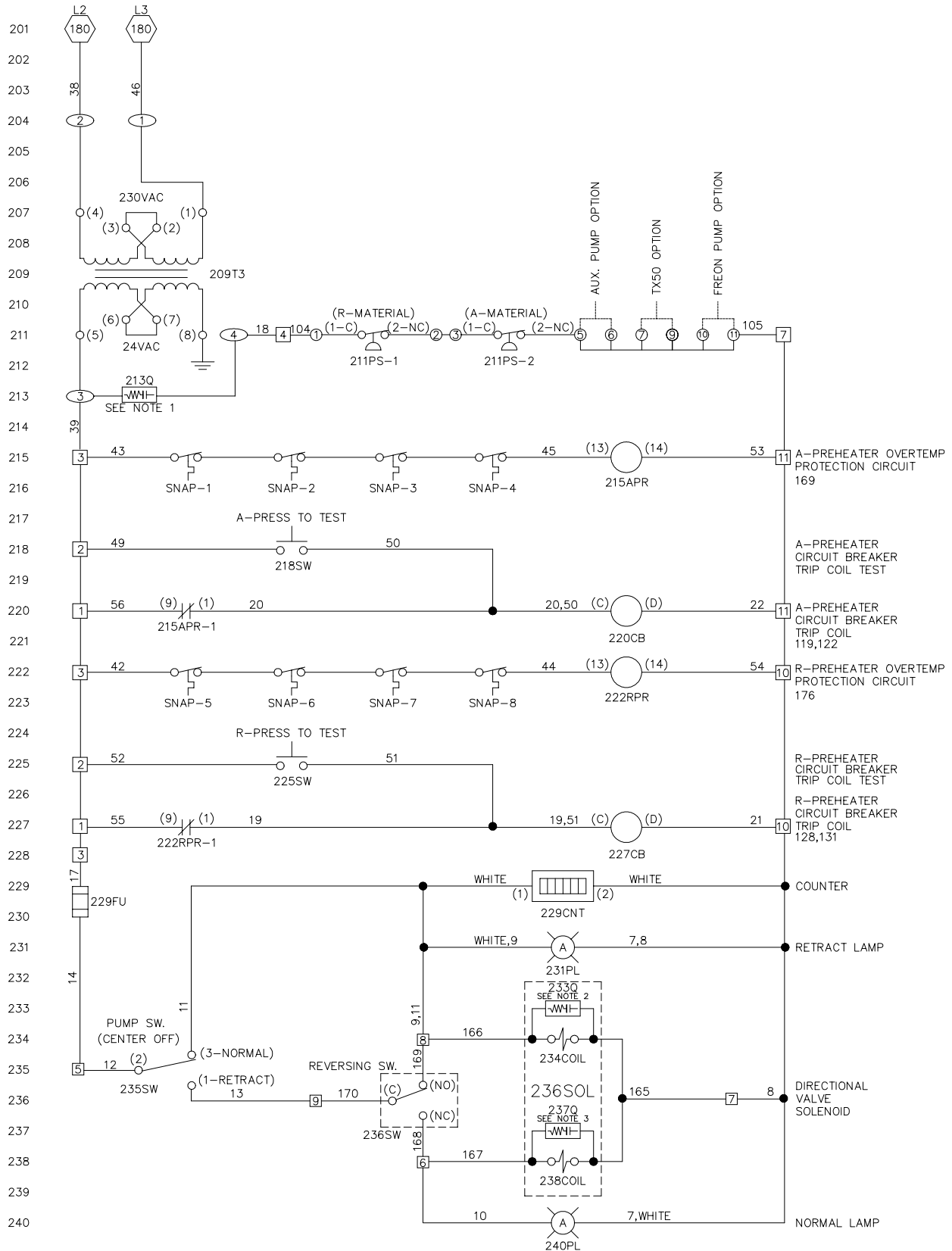


Figure 41. H-2000 Dual Transformer 220V Three Phase, (Sht 3 of 3)

TABLE 39. H-2000 DUAL TRANSFORMER 220V THREE PHASE, (PARTS LIST)

Symbol	Part Number	Description	Quantity
ENCLOSURE	15705-DH	Panel box	1
	15717A-IH	Front Console Panel – 1PH	1
	15652	Heat Sink (Console)	1
DIST-1	15655	Main Power Terminal Block Assembly	1
GND	1645-1	Terminal Lug	1
107CB	5601A-1	Main Circuit Breaker – 70A 3PH	1
	5656B	Circuit Breaker Shield	1
	5657B	Circuit Breaker Shield Fastener	1
109PL	0656	Indicator Cap – White	1
	6690-19-25	Light Base	1
	6690-19-24	Bulb	1
112SW	50602-1	Push Button Switch	1
112MR	6690-27-7	Power Contactor 50/60HZ	1
	15656	3” Mounting Track	1
112OL	6690-27-8	Overload Relay	1
114PL	0660	Indicator Cap – Amber	1
	6690-19-25	Light Base	1
	6690-19-24	Bulb	1
116MTR	15501-10	5HP Motor W/Bell Housing 3PH	REF
119FU	6651-5	Fuse – 30 Amp	1
	6651-6	Fuse Block	1
119HTR	15300-8	1500W 220V Cartridge Heater	REF
120PL	0660	Indicator Cap – Amber	1
	6690-19-25	Light Base	1
	6690-19-24	Bulb	1
122FU	6651-5	Fuse – 30 Amp	1
	6651-6	Fuse Block	1
124TEMP	6690-26-9	Controller	1
126SSR	6690-1-5	SS Relay	1
T/C-A	15300A-25	Thermocouple Kit	REF
128FU	6651-5	Fuse – 30 Amp	1
	6651-6	Fuse Block	1
128HTR	15300-8	1500W 220V Cartridge Heater	REF
129PL	0660	Indicator Cap – Amber	1
	6690-19-25	Light Base	1
	6690-19-24	Bulb	1
131FU	6651-5	Fuse – 30 Amp	1
	6651-6	Fuse Block	1
133TEMP	6690-26-9	Controller	1
135SSR	6690-1-5	SS Relay 50A	1
T/C-R	15300A-25	Thermocouple Kit	REF
143FU	6690-24-14	Fuse 50 Amp	1
	6690-24-13	Fuse Holder	1
146PL	0660	Indicator Cap – Amber	1
	6690-19-25	Light Base	1
	6690-19-24	Bulb	1
149CB	6690-25-4	Circuit Breaker 50A 50/60Hz	1

Symbol	Part Number	Description	Quantity
149T1	15276	Transformer	1
A-HOSE			REF
153TEMP	6690-26-10	Controller	1
155R	6690-5-14	Potentiometer	1
155PL	6690-19-10-2	Green Led Lamp 12VDC	1
155PG	6690-13-2-11-4	4CKT Male Pin Housing	1
157SSR	6690-1-7	S/S Relay	1
157TSU	20206-12/12 IHTC	Temperature Sensing Unit	REF
159PG	670A-1	Socket	1
159FU	6690-24-13	Fuse Holder	1
	6690-24-14	Fuse 50 Amp	1
165T2	6690-15-5	Transformer (Part of P/N 1277)	REF
B-HOSE			REF
169TEMP	6690-26-10	Controller	1
171R	6690-5-14	Potentiometer	1
171PG	6690-13-2-11-41	4 CKT Female Pin Housing	1
172PL	6690-19-10-2	Green Led Lamp 12 VDC	1
173TSU	20206-12/12 IHTC	Temperature Sensing Unit	REF
173PG	6690-13-2-11-41	4 CKT Female Pin Housing	1
176SSR	6690-1-7	Power Cube 80 Amp (Part of P/N 1277)	REF
TB3	6690-20-4-5	5 Position Terminal Block	1
	6690-20-4-5-1	5 Position Marker Strip	1
209T3	5611-1	Transformer	1
TB2	15661	Auxiliary Terminal Block	1
TB1	15651	Main Terminal Block Assembly	1
	5612B-2	Terminal Guard	1
	5612B-3	Nylon Screw	1
211PS-1	15516-2200	Pressure Switch W/ Spades	1
211PS-1	15516-2200	Pressure Switch W/ Spades	1
213Q	6690-21-1	Quencharc	1
SNAP-1	15310-5-1	Thermostat	1
SNAP-2	15310-5-1	Thermostat	1
SNAP-3	15310-5-1	Thermostat	1
SNAP-4	15310-5-1	Thermostat	1
215APR	6690-1-14	Relay	1
218SW	6651-9	Push Button Switch	1
220CB	6690-25-4	Circuit Breaker 50A	1
SNAP-5	15310-5-1	Thermostat	1
SNAP-6	15310-5-1	Thermostat	1
SNAP-7	15310-5-1	Thermostat	1
SNAP-8	15310-5-1	Thermostat	1
222RPR	6690-1-14	Relay	1
225SW	6651-9	Push Button Switch	1
227CB	6690-25-4	Circuit Breaker 50A	1
229FU	6690-24-3	8 Amp Fuse	1
	5653B	Fuse Holder	1
229CNT	9651-6-2	Counter	1
231PL	0658A	Incandescent Light Base	1
	0662A	Incandescent Bulb	1

Symbol	Part Number	Description	Quantity
	0660	Indicator Cap – Amber	1
233Q	6690-21-1	Quencharc	1
234COIL	14549-1	24V AC Coil	1
235SW	6690-16-6	Toggle Switch	1
236SW	0578A	Reversing Switch	1
236SOL	14549	Direction Valve	1
237Q	6690-21-1	Quencharc	1
238COIL	14549-1	24V AC Coil	1
240PL	0658A	Incandescent Light Base	1
	0662A	Incandescent Bulb	1
	0660	Indicator Cap – Amber	1

Dual Transformer 380V Three Phase

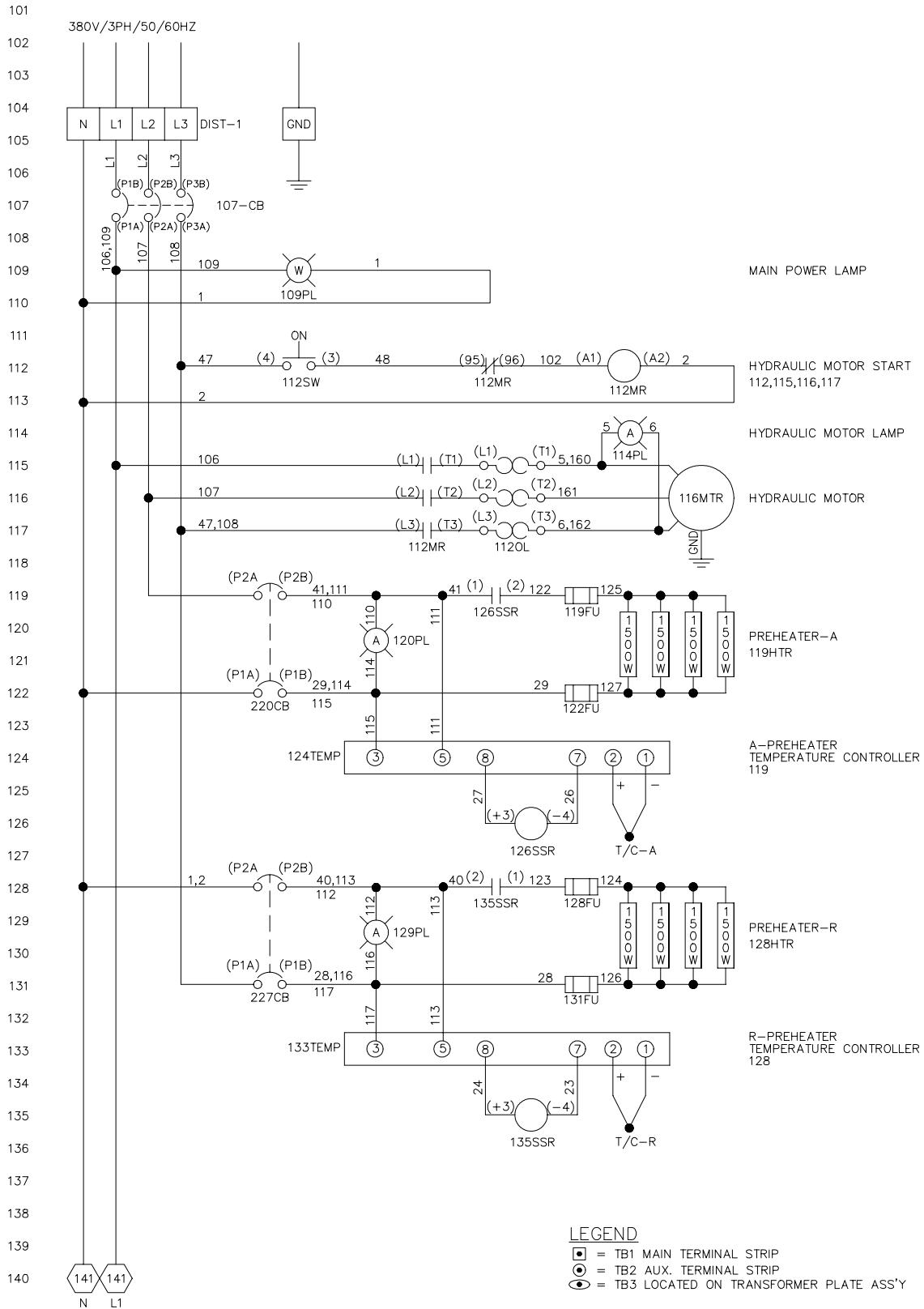
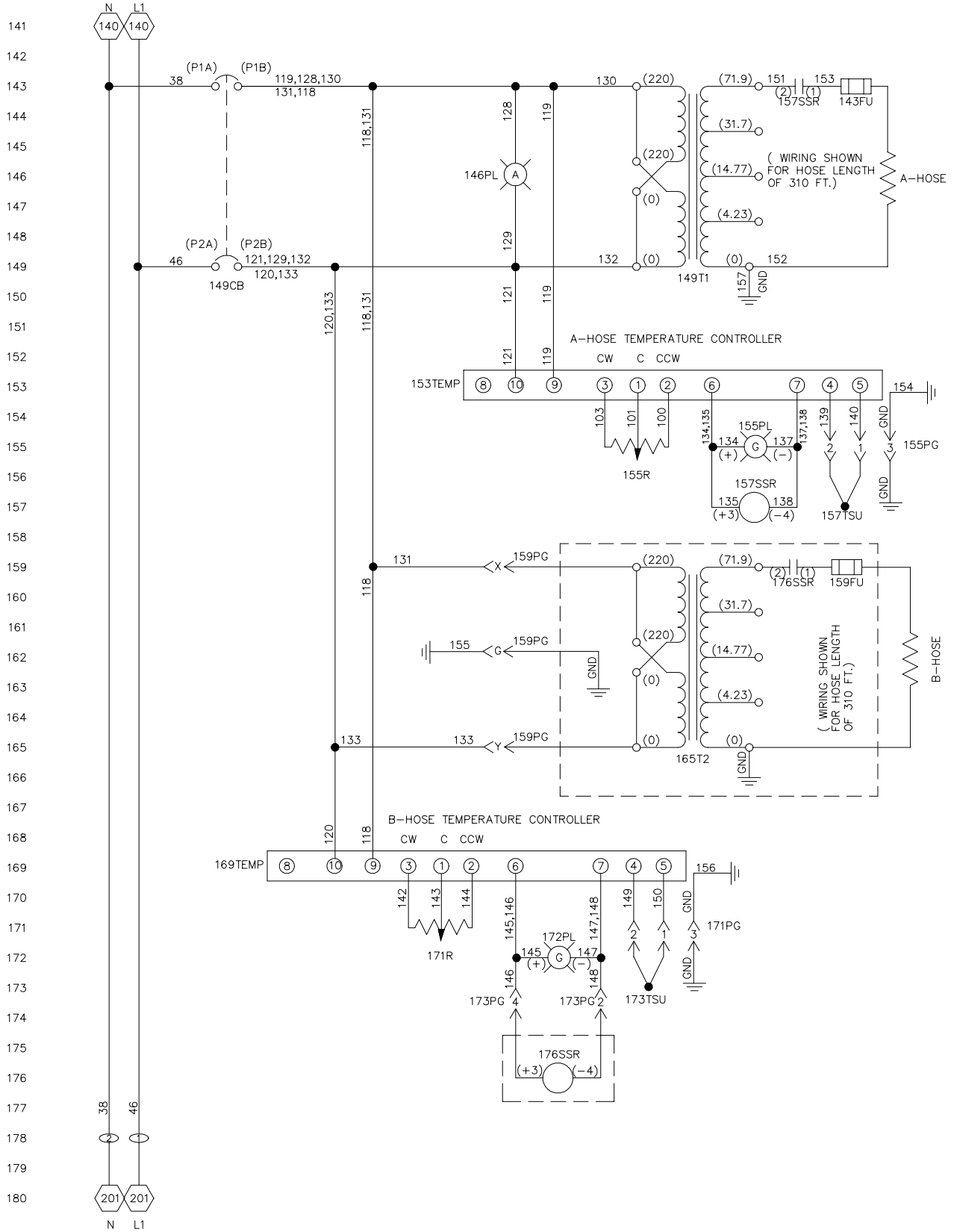


Figure 42. H-2000 Dual Transformer 380V Three Phase, (Sht 1 of 3)



**Figure 43. H-2000 Dual Transformer 380V Three Phase, (Sht 2 of 3)**



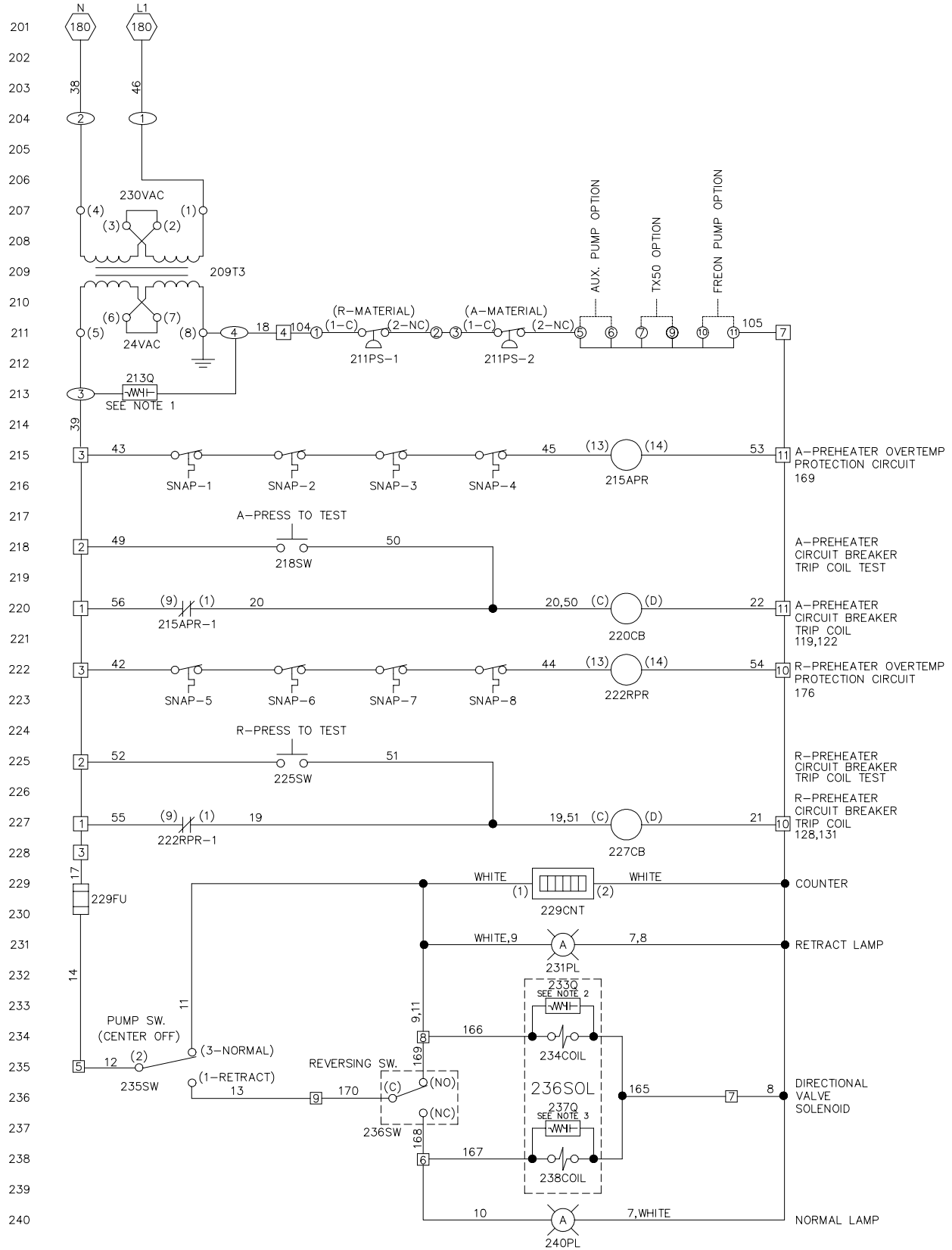


Figure 44. H-2000 Dual Transformer 380V Three Phase, (Sht 3 of 3)

**TABLE 40. H-2000 DUAL TRANSFORMER 380V THREE PHASE, (PARTS LIST)**

Symbol	Part Number	Description	Quantity
ENCLOSURE	15705-DH	Panel Box	1
	15717A-IH	Front Console Panel – 1PH	1
	15652	Heat Sink (Console)	1
DIST-1	15655	Main Power Terminal Block Assembly	1
GND	1645-1	Terminal Lug	1
107CB	5601A-1	Main Circuit Breaker – 70A 3PH	1
	5656B	Circuit Breaker Shield	1
	5657B	Circuit Breaker Shield Fastener	1
109PL	0656	Indicator Cap – White	1
	6690-19-25	Light Base	1
	6690-19-24	Bulb	1
112SW	50602-1	Push Button Switch	1
112MR	6690-27-7	Power Contactor 50/60HZ	1
	15656	3” Mounting Track	1
112OL	6690-27-11	Overload Relay	1
114PL	0660	Indicator Cap – Amber	1
	6690-19-25	Light Base	1
	6690-19-24	Bulb	1
116MTR	15501-10	5HP Motor W/Bell Housing 3PH	REF
119FU	6651-5	Fuse – 30 Amp	1
	6651-6	Fuse Block	1
119HTR	15300-8	1500W 220V Cartridge Heater	REF
120PL	660	Indicator Cap – Amber	1
	6690-19-25	Light Base	1
	6690-19-24	Bulb	1
122FU	6651-5	Fuse – 30 Amp	1
	6651-6	Fuse Block	1
124TEMP	6690-26-9	Controller	1
126SSR	6690-1-5	SS Relay	1
T/C-A	15300A-25	Thermocouple Kit	REF
128FU	6651-5	Fuse – 30 Amp	1
	6651-6	Fuse Block	1
128HTR	15300-8	1500W 220V Cartridge Heater	REF
129PL	660	Indicator Cap – Amber	1
	6690-19-25	Light Base	1
	6690-19-24	Bulb	1
131FU	6651-5	Fuse – 30 Amp	1
	6651-6	Fuse Block	1
133TEMP	6690-26-9	Controller	1
135SSR	6690-1-5	SS Relay	1
T/C-R	15300A-25	Thermocouple Kit	REF
143FU	6690-24-14	Fuse 50 Amp	1
	6690-24-13	Fuse Holder	1
146PL	660	Indicator Cap – Amber	1
	6690-19-25	Light Base	1
	6690-19-24	Bulb	1

Symbol	Part Number	Description	Quantity
149CB	6690-25-4	Circuit Breaker 50A	1
149T1	6690-15-5	Transformer	1
A-HOSE			REF
153TEMP	6690-26-10	Controller	1
155R	6690-5-14	Potentiometer	1
155PL	6690-19-10-2	Green Led Lamp 12VDC	1
155PG	6690-13-2-11-4	4CKT Male Pin Housing	1
157SSR	6690-1-7	S/S Relay	1
157TSU	20206-12/12 IHTC	Temperature Sensing Unit	REF
159PG	670A-1	Socket	1
159FU	6690-24-13	Fuse Holder	1
	6690-24-14	Fuse 50 Amp	1
165T2	6690-15-5	Transformer (Part of P/N 1277)	REF
B-HOSE			REF
169TEMP	6690-26-10	Controller	1
171R	6690-5-14	Potentiometer 230 Ohm	1
171PG	6690-13-2-11-41	4 CKT Female Pin Housing	1
172PL	6690-19-10-2	Green Led Lamp 12 VDC	1
173TSU	20206-12/12 IHTC	Temperature Sensing Unit	REF
173PG	6690-13-2-11-41	4 CKT Female Pin Housing	1
176SSR	6690-1-7	Power Cube 80 Amp (Part of P/N 1277)	REF
TB3	6690-20-4-5	5 Position Terminal Block	1
	6690-20-4-5-1	5 Position Marker Strip	1
209T3	5611-1	Transformer	1
TB2	15661	Auxiliary Terminal Block	1
TB1	15651	Main Terminal Block Assembly	1
	5612B-2	Terminal Guard	1
	5612B-3	Nylon Screw	1
211PS-1	15516-2200	Pressure Switch W/ Spades	1
211PS-1	15516-2200	Pressure Switch W/ Spades	1
213Q	6690-21-1	Quencharc	1
SNAP-1	15310-5-1	Thermostat	1
SNAP-2	15310-5-1	Thermostat	1
SNAP-3	15310-5-1	Thermostat	1
SNAP-4	15310-5-1	Thermostat	1
215APR	6690-1-14	Relay	1
218SW	6651-9	Push Button Switch	1
220CB	6690-25-4	Circuit Breaker 50A	1
SNAP-5	15310-5-1	Thermostat	1
SNAP-6	15310-5-1	Thermostat	1
SNAP-7	15310-5-1	Thermostat	1
SNAP-8	15310-5-1	Thermostat	1
222RPR	6690-1-14	Relay	1
225SW	6651-9	Push Button Switch	1
227CB	6690-25-4	Circuit Breaker 50A	1
229FU	6690-24-3	8 Amp Fuse	1
	5653B	Fuse Holder	1
229CNT	9651-6-2	Counter	1
231PL	0658A	Incandescent Light Base	1

Symbol	Part Number	Description	Quantity
	0662A	Incandescent Bulb	1
	0660	Indicator Cap – Amber	1
233Q	6690-21-1	Quencharc	1
234COIL	14549-1	24V AC Coil	1
235SW	6690-16-6	Toggle Switch	1
236SW	0578A	Reversing Switch	1
236SOL	14549	Direction Valve	1
237Q	6690-21-1	Quencharc	1
238COIL	14549-1	24V AC Coil	1
240PL	0658A	Incandescent Light Base	1
	0662A	Incandescent Bulb	1
	0660	Indicator Cap – Amber	1

## INSTRUCTION MANUAL DISCREPANCY REPORT

Field Number	Field Title	Description
1	Date	
2	Name	
3	IM Number	
4	Issue Number	
5	Date of Issue	
6	Page Number	
7	Discrepancy	

**Instructions:**

Complete the above fields of the form by following the instructions listed on the reverse side of this sheet and mail to:

*Gusmer Corporation*  
*One Gusmer Drive PO Box 2055*  
*Lakewood, NJ 08701*

Field Number	Field Title	Description
1	Date	Enter date report is submitted.
2	Name	Enter name of person making report.
3	IM Number	Enter the Part Number of the Instruction Manual from the title page.
4	Issue Number	Enter the Issue number of the Instruction Manual from the title page. If there is no issue number, enter <b>NONE</b> .
5	Date of Issue	Enter the date of Issue of the Instruction Manual from the title page. If there is no issue date, enter <b>NONE</b> .
6	Page Number	Enter the page number containing the discrepancy
7	Discrepancy	Provide a brief description of discrepancy

**NOTE:** You may send a marked copy of the page as an attachment to your submittal.